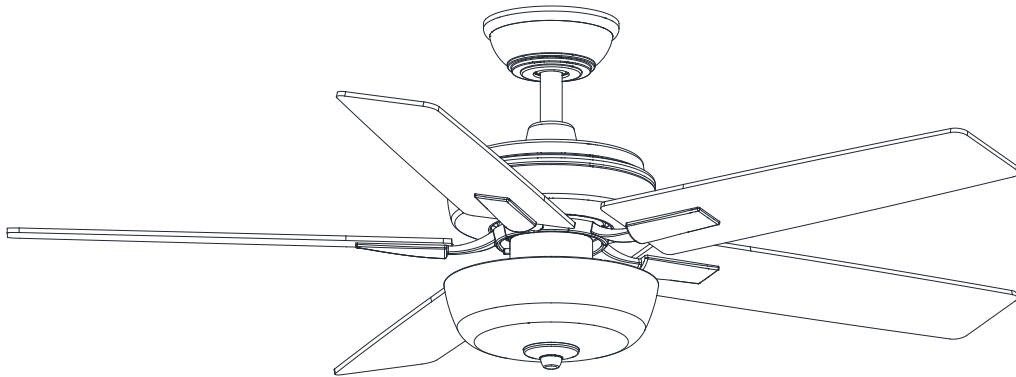


# KUZCO

## ERIKSON CEILING FAN INSTRUCTION SHEET



MODEL CF78752-XX-LKW



Scan this QR code with your phone to view our step by step installation video or visit  
<https://kuzcolighting.com/fan-resources>.

TF. 1.855.855.8926 | T. 604 538 7162 | F. 604 538 7196

CANADA: 19054 28th Ave., - Surrey, BC V3Z 6M3

USA: 3035 E. Lone Mountain Rd. - Las Vegas, NV 89081

[www.kuzcolighting.com](http://www.kuzcolighting.com)

20230505

CUL MODEL NO. 52-SHAFWL  
N.W:7.4KG

# SAFETY INFORMATION

---

1. To reduce the risk of electric shock, ensure electricity has been turned off at the circuit breaker or fuse box before beginning.
2. All wiring must be in accordance with the National Electrical Code and local electrical codes. Electrical installation should be performed by a qualified licensed electrician.
3. **CAUTION:** Read all instructions and safety information before installing your new fan. Review accompanying assembly diagrams.
4. **WARNING:** To reduce the risk of fire, electric shock, or personal injury, mount to UL Listed outlet box marked "acceptable for fan support of 15.9 kg (35 lbs) or less" and use mounting screws provided with the outlet box. Most outlet boxes commonly used for the support of light fixtures are not acceptable for fan support and may need to be replaced. Due to the complexity of the installation of this fan, a qualified licensed electrician is strongly recommended.
5. The outlet box and support structure must be securely mounted and capable of reliably supporting a minimum of 15.9 kg (35 lbs). Use only UL listed outlet boxes marked "acceptable for fan support of 15.9 kg (35 lbs) or less.
6. The fan must be mounted with a minimum of 2.3 m clearance from the trailing edge of the blades to the floor. The tip of the fan blade to the nearest wall/obstruction: 30 inches.
7. Avoid placing objects in the path of the blades.
8. To avoid personal injury or damage to the fan and other items, be cautious when working around or cleaning the fan.
9. Do not use water or detergents when cleaning the fan or fan blades. A dry dust cloth or lightly dampened cloth will be suitable for most cleaning.
10. After making electrical connections, spliced conductors should be turned upward and pushed carefully up into outlet box. The wires should be spread apart with the grounded conductor and the equipment- grounding conductor on one side of the outlet box.
11. Electrical diagrams are for reference only. Light kits that are not packed with the fan must be UL and cUL Listed and marked suitable for use with the model fan you are installing. Switches must be UL and cUL General Use Switches. Refer to the Instructions packaged with the light kits and switches for proper assembly.
12. Do not operate reversing switch while fan blades are in motion. Fan must be turned off and blades stopped before reversing blade direction.

**WARNING:** TO REDUCE THE RISK OF FIRE, ELECTRIC SHOCK, OR PERSONAL INJURY. DO NOT USE REPLACEMENT PARTS THAT HAVE NOT BEEN RECOMMENDED BY THE MANUFACTURER (E.G. PARTS MADE AT HOME USING A 3D PRINTER).

**WARNING:** IF UNUSUAL OSCILLATING MOVEMENT IS OBSERVED, IMMEDIATELY STOP USING THE CEILING FAN AND CONTACT THE MANUFACTURER, ITS SERVICE AGENT OR SUITABLY QUALIFIED PERSONS.

**WARNING:** TO REDUCE THE RISK OF PERSONAL INJURY, DO NOT BEND THE BLADE ARMS (ALSO REFERRED TO AS FLANGES), WHEN INSTALLING THE BRACKETS, BALANCING THE BLADES OR CLEANING THE FAN.

---

**READ AND SAVE THESE INSTRUCTIONS.**

# TABLE OF CONTENTS

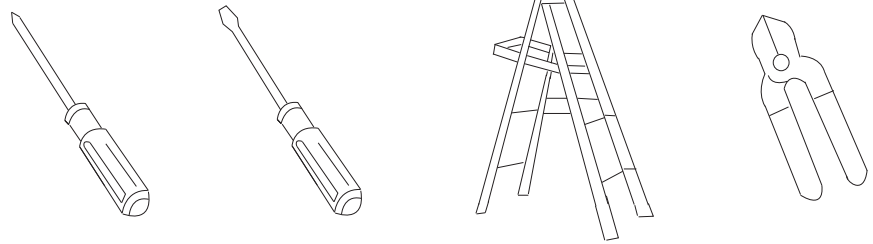
---

- Safety
- Tools Needed
- Hardware Included
- Package Contents
- Fan Assembly
- Electrical Connections
- Fan Blade Installation
- Light Kit Installation
- Fan Operation
- Care and Cleaning
- Troubleshooting
- Warranty Information

## TOOLS NEEDED

---

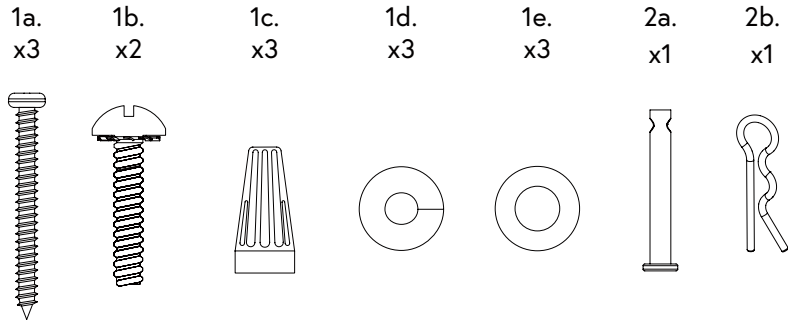
- Phillips screwdriver
- Flathead screwdriver
- Step ladder
- Wire cutter



## HARDWARE INCLUDED

---

- Bracket Mounting Hardware
  - wood screws (1a)
  - screws (1b)
  - wire nuts (1c)
  - lock washers (1d)
  - flat washers (1e)



- Fan Mounting Hardware
  - clevis pin (2a)
  - cotter pin (2b)

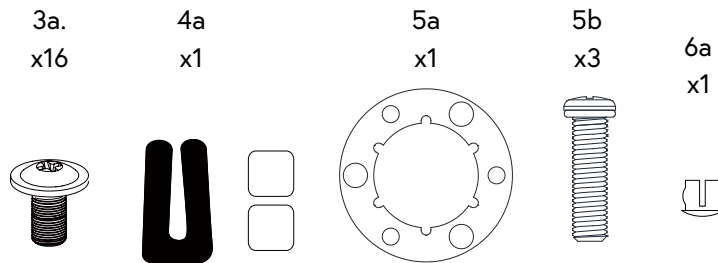
- Blade to Blade Arm Screws (3a)

- Balance Kit (4a)

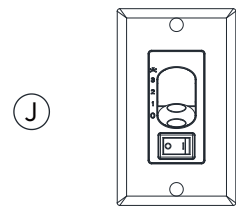
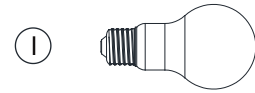
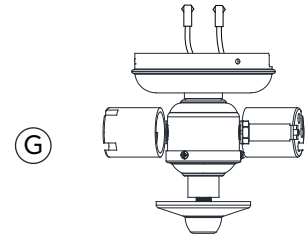
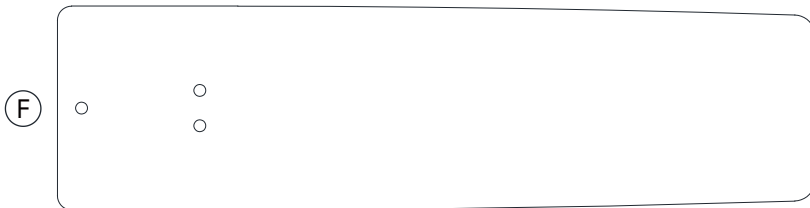
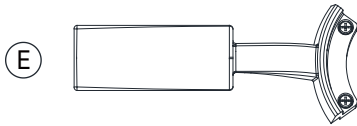
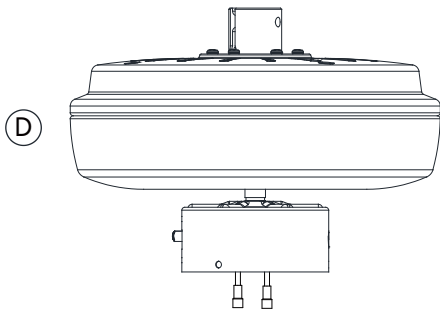
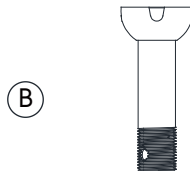
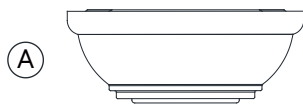
- Rubber Gasket (5a)

- Lag screws (5b)

- Plastic Plug (6a)



# PACKAGE CONTENTS



Part	Description	Quantity
A	Canopy	1
B	Downrod Assembly	1
C	Coupling Cover	1
D	Fan Motor	1
E	Blade Arm	5
F	Blade	5
G	Light Kit Assembly	1
H	Shade	1
I	Bulb	2
J	Wall Control	1

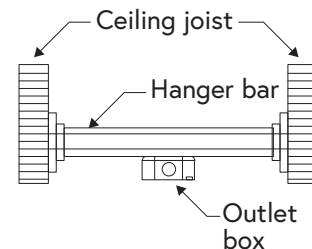
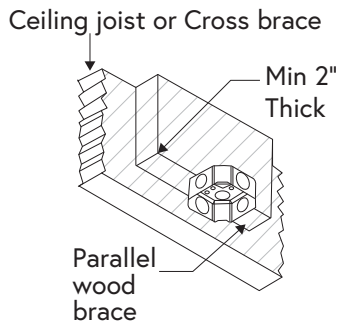
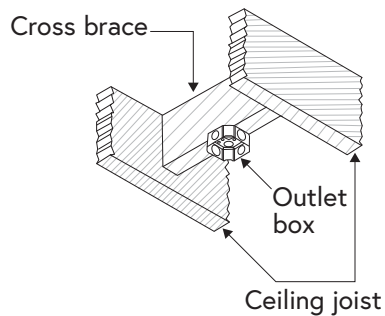


# PREPARING THE MOUNTING HARDWARE

## Outlet Box Mounting Options

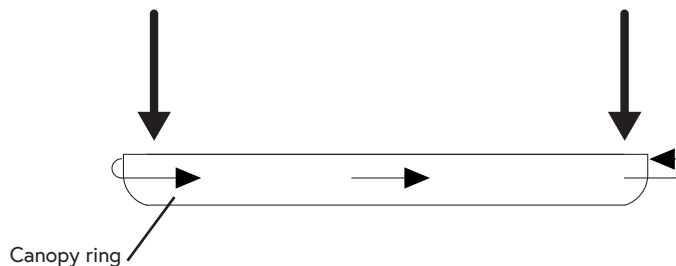
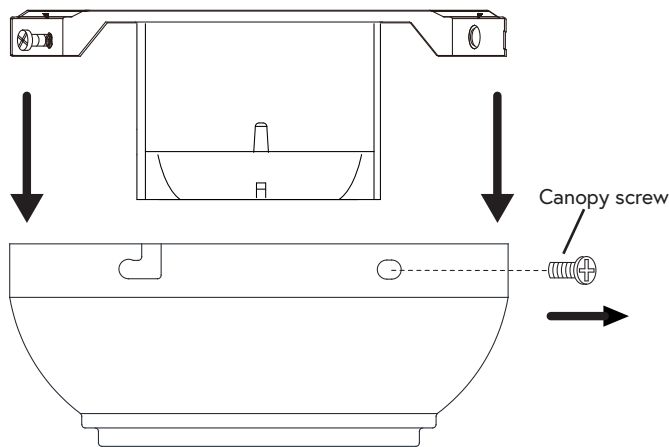
If there isn't an existing UL Listed octagonal mounting box marked "Acceptable for Fan Support" follow the instructions below. (REMINDER: an electrical junction box for use with luminaires is not acceptable for this application)

- Before you begin installing the mounting box, shut off the power at the circuit breaker of the fuse box.
- Secure the box directly to the building structure. The figures below show 3 example methods.



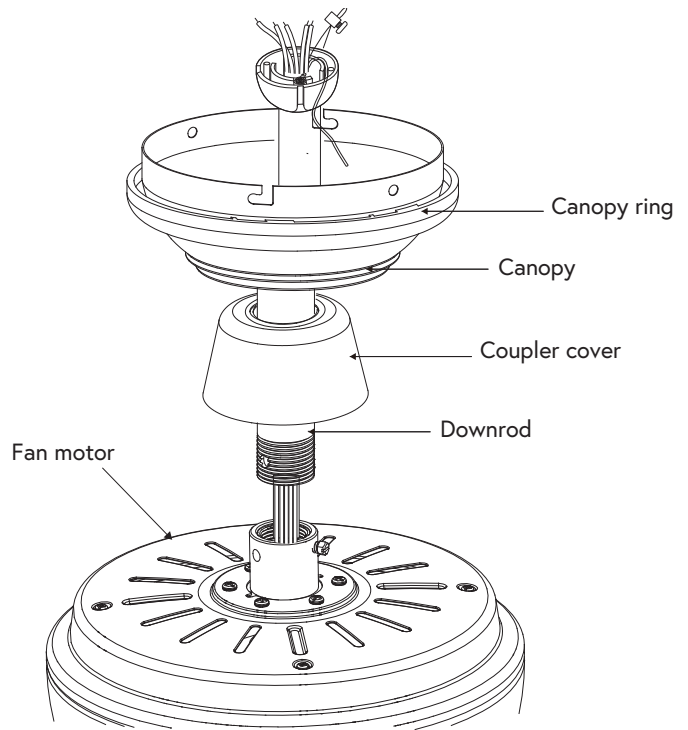
# PREPARING FOR MOUNTING - STANDARD CEILING MOUNT

1. Remove the canopy ring from the canopy by turning the ring until it unlocks.
2. Remove the mounting bracket from the canopy by loosening the two canopy screws located in the "L shaped" slots.
3. Remove and save the two canopy screws in the round holes. This will enable you to remove the mounting bracket.



## ROUTING THE WIRES - STANDARD CEILING MOUNT

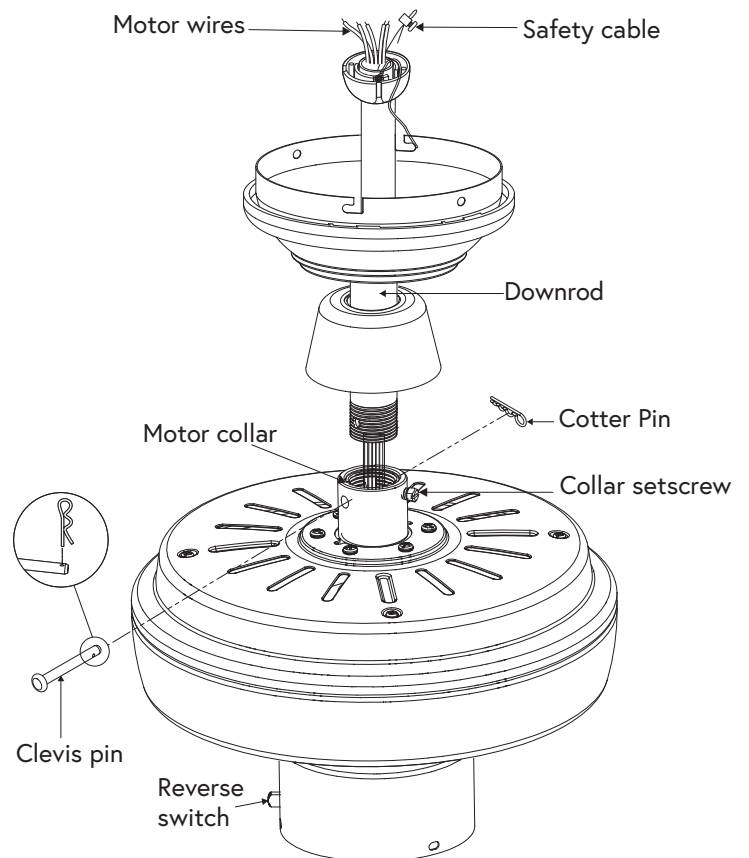
- Slip the canopy, the canopy ring, and the coupler cover onto the downrod assembly.
- Carefully feed the motor wires and safety cable up exiting the top of the fan motor through the downrod assembly.



## ASSEMBLING THE FAN - STANDARD CEILING MOUNT

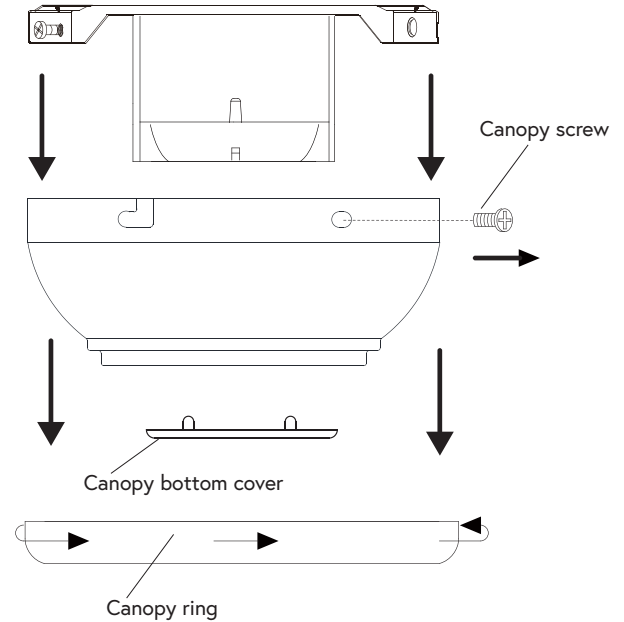
**WARNING:** Failure to properly install the cotter pin could result in the fan becoming loose and possibly falling.

1. Loosen, but do not remove, the collar setscrew on the motor collar on top of the fan motor.
2. Thread the downrod assembly into the collar until the holes at the bottom of the downrod align with the holes in the collar.
3. Carefully insert the clevis pin through the holes in the collar and downrod. Be careful not to jam the clevis pin against the wiring inside the downrod.
4. Insert the cotter pin through the hole near the end of the clevis pin until it snaps into its locked position.
5. Re-tighten the setscrew on the collar on top of the fan motor.



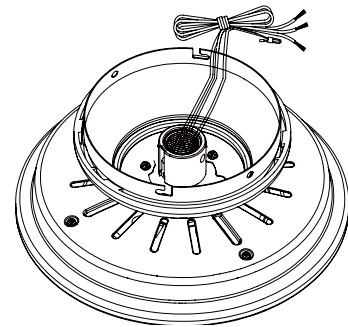
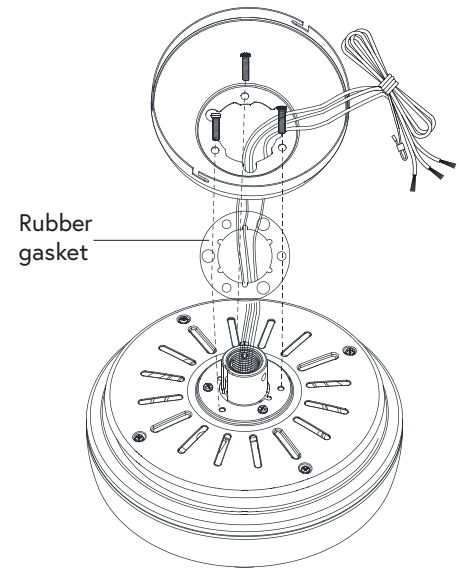
## PREPARING FOR MOUNTING - CLOSE-TO-CEILING MOUNT

1. Remove canopy ring from the canopy by turning the ring until it unlocks.
2. Remove the mounting bracket from the canopy by loosening the two canopy screws located in the "L shaped" slots.
3. Remove and save the two canopy screws in the round holes. This will enable you to remove the mounting bracket.
4. Remove the decorative canopy bottom cover from the canopy by pressing the three studs located inside the bottom of the canopy.



## ROUTING THE WIRES - CLOSE-TO-CEILING MOUNT

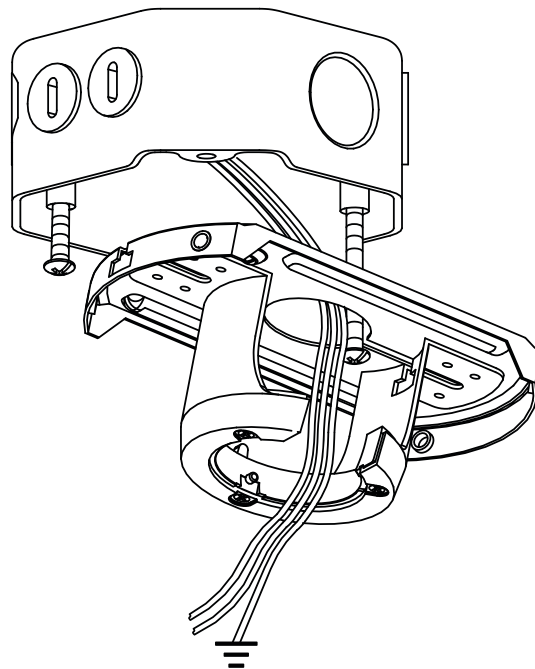
1. Remove three of the six screws and lock washers (every other one) securing the motor collar to the top of the fan-motor assembly.
2. Route the wires exiting the top of the fan-motor assembly through the rubber gasket aligning the holes in the rubber gasket with the three screw holes in the fan motor assembly.
3. Route the wires exiting the top of the fan-motor assembly through the canopy ring, and the canopy (make sure the slot openings for the canopy ring and canopy are on top). Place the canopy over the collar at the top of the motor.
4. Align the mounting holes in the canopy with the screw holes in the motor and fasten using the three longer screws and lock washers provided in hardware pack. Tighten the screws securely.



## INSTALLING THE HANGING BRACKET

**CAUTION:** TO AVOID POSSIBLE ELECTRICAL SHOCK, BE SURE ELECTRICITY IS TURNED OFF AT THE MAIN POWER BOX BEFORE WIRING. ALL WIRING MUST BE IN ACCORDANCE WITH NATIONAL AND LOCAL ELECTRICAL CODES AND THE CEILING FAN MUST BE GROUNDED AS A PRECAUTION AGAINST POSSIBLE ELECTRIC SHOCK.

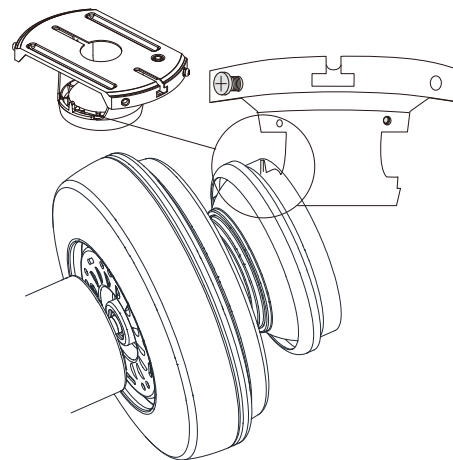
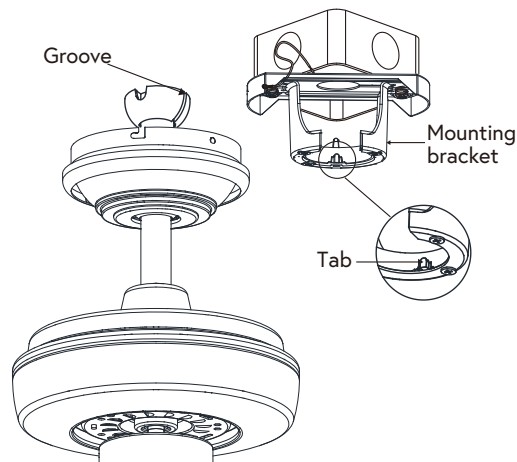
1. Loosen the two mounting screws in the outlet box. Pass the 120-Volt supply wires through the center hole in the slide-on mounting bracket.
2. Slide the slide-on mounting bracket on to the mounting screws and center the slide-on mounting bracket in relation to the outlet box. If necessary, use leveling washers (not included) between the slide-on mounting bracket and the outlet box. The flat side of the slide-on mounting bracket should face toward the outlet box, as shown.
3. Securely tighten the two mounting screws.



## HANGING THE FAN

**WARNING:** The tab in the ring must rest in the groove of the hanger ball/downrod assembly. Failure to properly seat the tab in the groove could cause damage to the wiring.

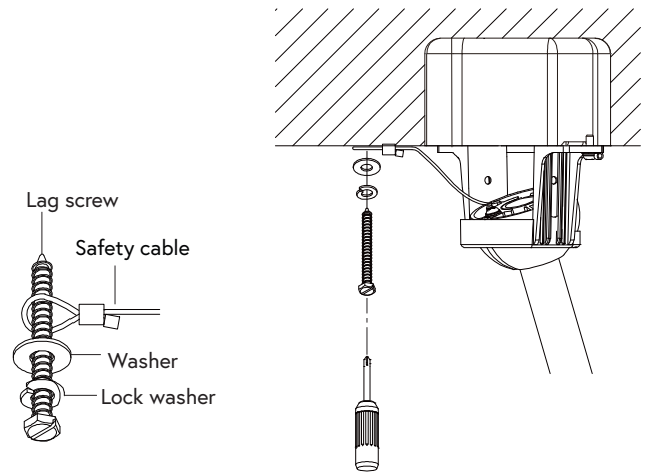
1. Carefully lift the fan motor assembly up to the mounting bracket.
2. Seat the hanger ball portion of the ball/downrod assembly in the mounting bracket socket. Ensure that the tab on the mounting bracket socket is properly seated in the groove in the hanger ball. If using close-to-ceiling mounting, hang the fan on the hook provided by utilizing one of the holes at the outer rim of the ceiling canopy.



# INSTALLATION OF THE SAFETY CABLE SUPPORT

**NOTE:** If installing the secondary support safety cable in the U.S., do not remove knockouts in the outlet box.

1. For Canadian installation and for USA fan and light kit combinations over 35 lbs, in both flush and downrod modes, the safety cable must be installed into the house structure using 3" lag screws, washers and lock washers provided. Make sure that when the safety cable is fully extended the lead wires are longer than the cable and no stress is placed on the lead wires.

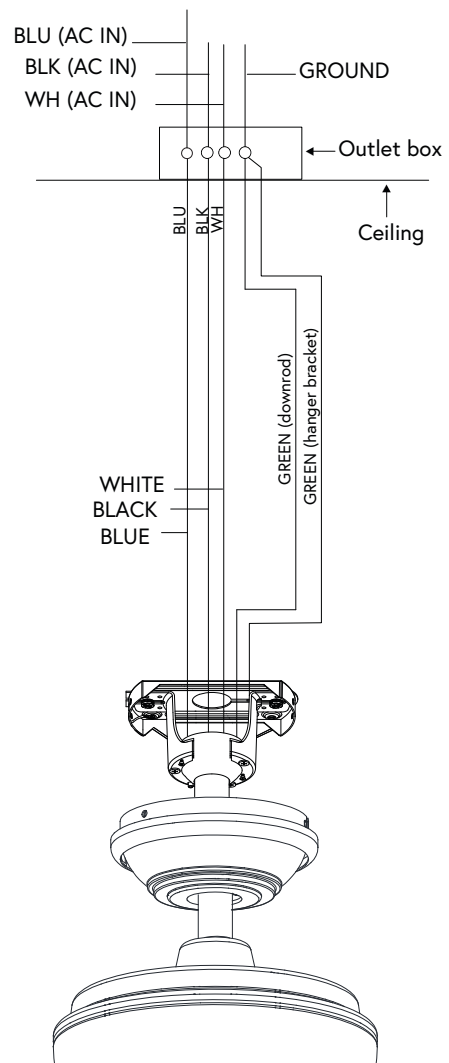


## ELECTRICAL CONNECTIONS

**WARNING:** To avoid possible electrical shock, be sure electricity is turned off at the main fuse box before installation.

**WARNING:** Check to see that all connections are tight, including ground, and that no bare wire is visible at the wire nuts, except for the ground wire.

1. Connect the fan motor **BLUE** wire to the household **BLUE** wire, secure with supplied wire nut.
2. Connect the fan motor **BLACK** wire to the household **BLACK** wire, secure with supplied wire nut.
3. Connect the **WHITE** fan neutral wire to the household **WHITE** wire, secure with supplied wire nut.
4. Connect the **COPPER** building ground wire to the 2 **GREEN** ground wires from the fan.



## MOUNTING THE FAN

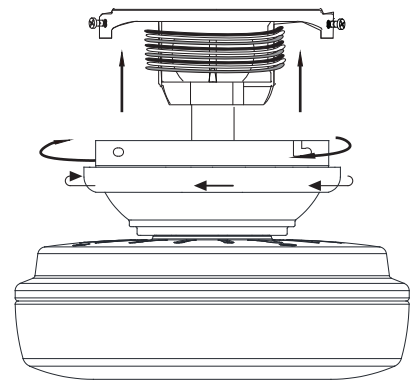
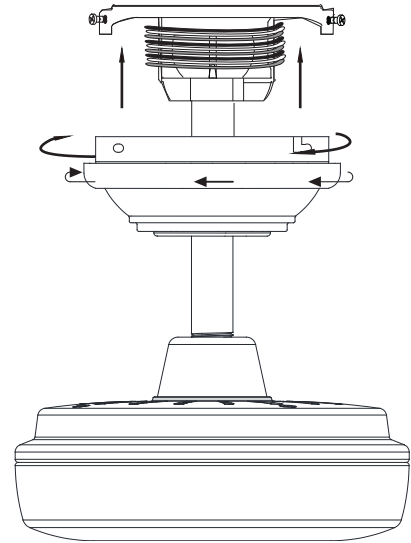
**WARNING:** When using the standard ball/downrod mounting, the tab in the ring at the bottom of the mounting bracket must rest in the groove of the hanger ball. Failure to properly seat the tab in the groove could cause damage to the wiring.

### STANDARD:

1. Align the locking slots of the ceiling canopy with the two screws in the mounting bracket. Push up to engage the slots and turn clockwise to lock in place.
2. Firmly tighten the two mounting screws.
3. Install the two mounting screws (saved from Assembly Step 1 "Preparing for mounting") into the holes in the canopy and tighten firmly.
4. Install the decorative canopy ring by aligning the ring's slots with the screws in the canopy. Rotate the ring to lock in place.

### CLOSE-TO-CEILING:

1. Carefully unhook the fan from the mounting bracket and align the locking slots of the ceiling canopy with the two screws in the mounting bracket. Push up to engage the slots and turn clockwise to lock the canopy in place. Immediately tighten the two mounting screws firmly.
2. Install the remaining two mounting screws into the holes in the canopy and tighten firmly.
3. Install the decorative canopy ring by aligning the ring's slots with the screws in the canopy. Rotate the ring to lock it in place.

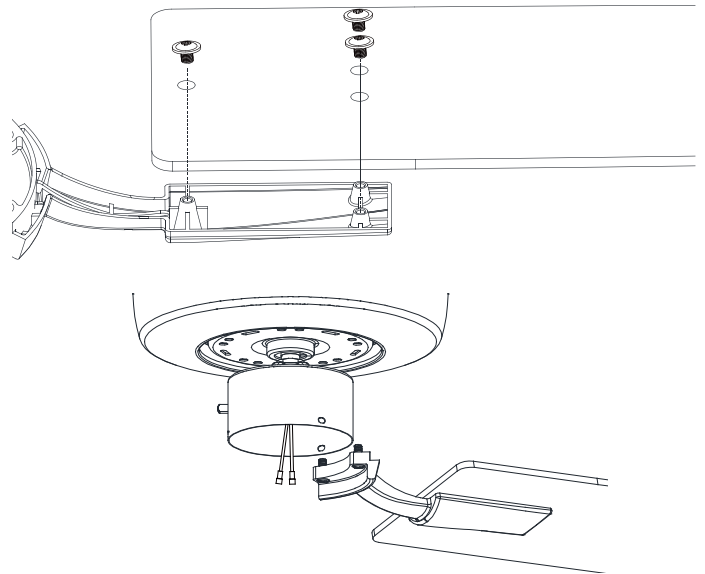


## ATTACHING THE FAN BLADES

**WARNING:** Remove the rubber motor stops on the bottom of the fan before installing blades or testing the motor.

**NOTE:** Your fan blades are reversible. Select the blade finish which best accentuates your decor.

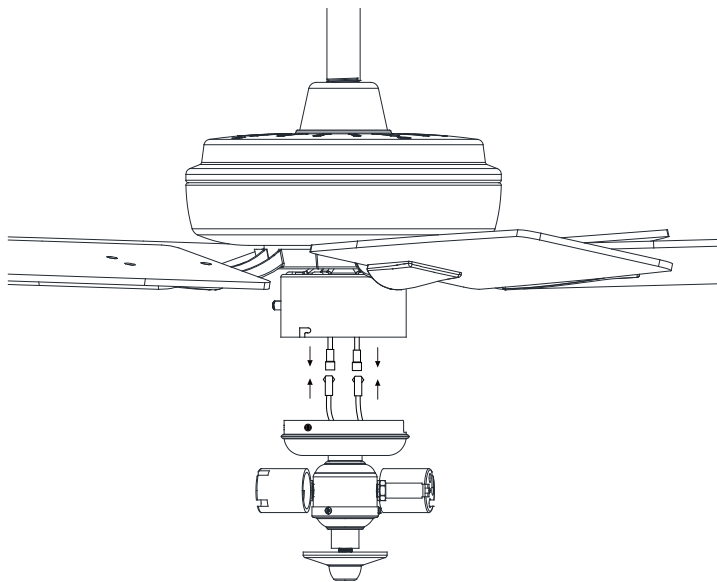
1. Attach the blade to blade bracket using screws as shown. Repeat this process for remaining blades.
2. Tighten each screw securely.
3. Fasten the blade assembly to the motor by aligning the screw holes on the bottom of the fan motor with the holes on the blade arm, and tightening the motor screws. Please note that the motor screws are pre-attached into the blade brackets.
4. Repeat step 3 for the remaining blades.



## INSTALLING THE LIGHT KIT ASSEMBLY

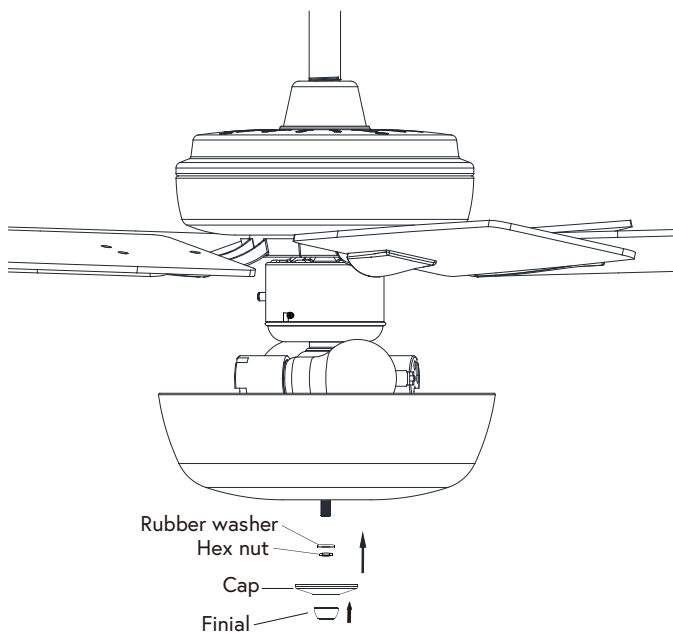
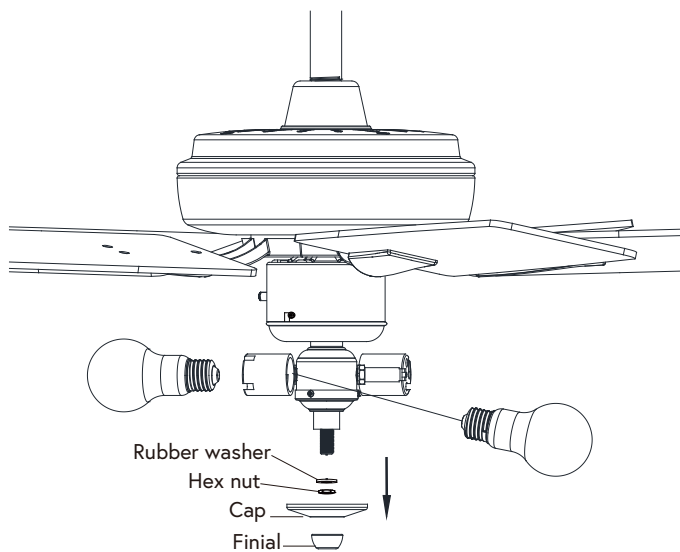
**CAUTION:** To reduce the risk of electrical shock, disconnect the electrical supply circuit to the fan before installing the light kit.

1. Loosen but do not remove two of three mounting screws from the switch cup cover of light kit fitter assembly and remove one mounting screw.
2. Connect the wires from the switch housing to the wires from the light kit fitter by connecting the molded adapterplugs together (blue to black, white to white)
3. Carefully tuck all the wires and splices into the switch housing.
4. Attach the switch housing cover with light kit fitter to the switch housing so that the two loosened screw heads fit into the keyhole slots and tighten the screws. Reinstall the screw that was removed in step 1 and tighten firmly.



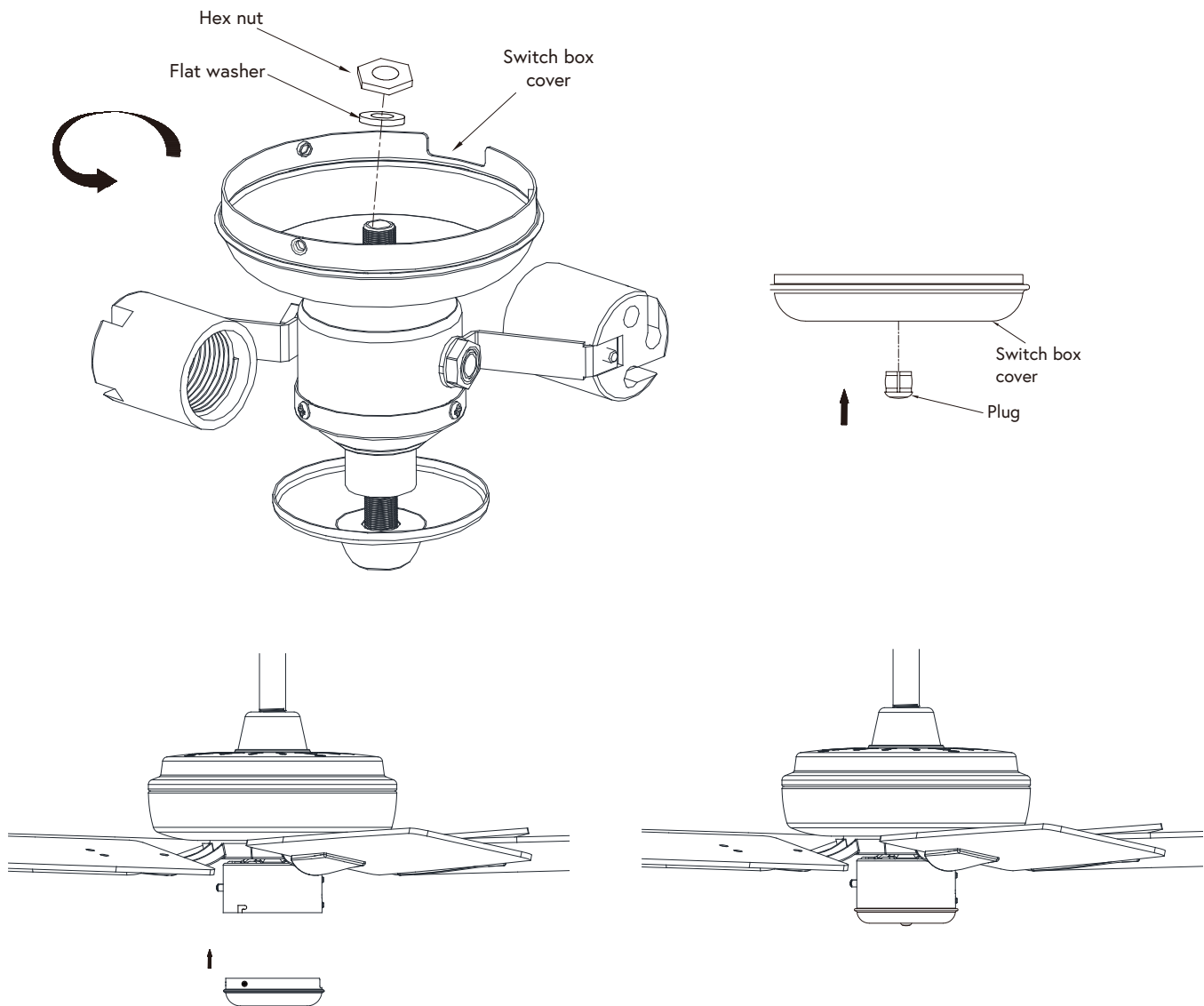
## INSTALLING THE LIGHT BULBS AND SHADE

1. Remove the finial, cap, hex nut and rubber washer from light kit. Install the two LED lamps (provided) into the light fitter sockets.
2. Position the shade over the threaded nipple, then re-tighten the rubber washer, hex nut, cap and finial.



# ASSEMBLING THE FAN WITHOUT LIGHT KIT

1. In order to use the fan without the light kit, remove the switch box housing cover from the top of light kit fttter assembly by removing the center hex nut and flat washer inside the switch box housing cover, and then thread the switch box housing cover off the threaded nipple on the top of the light kit fttter assembly.
2. Press the plastic plug (provided) into the center hole of the switch box housing cover .
3. Remove one screw from the switch box housing cover and loosen , but do not remove the two screws.
4. Position the switch box housing cover onto the switch cup and reinstall the light kit mounting screws. Tighten all the screws firmly.





# WALL CONTROL - MAKING THE ELECTRICAL CONNECTIONS

**REMEMBER** to disconnect the power. If you feel you do not have enough electrical wiring knowledge or experience, have your fan installed by a licensed electrician.

Follow the steps below to connect the fan to your household wiring. Use the wire connectors supplied with your fan. Secure the connectors with electrical tape. Make sure there are no loose strands or connections.

1. After electricity has been turned off at the main fuse box or circuit breaker panel, remove the existing wall plate and switch.
2. Proceed to connect the wires as follows (make sure the fan and light slide switches of the wall control are set in "OFF" position); Connect the solid black wire from the wall control to the black wire from the fan. Connect the red or blue wire from the wall control to the black wire from the fan. Connect the black with white stripes wire from the wall control to the 120V AC hot wire. Use wire connectors provided to secure the connections.

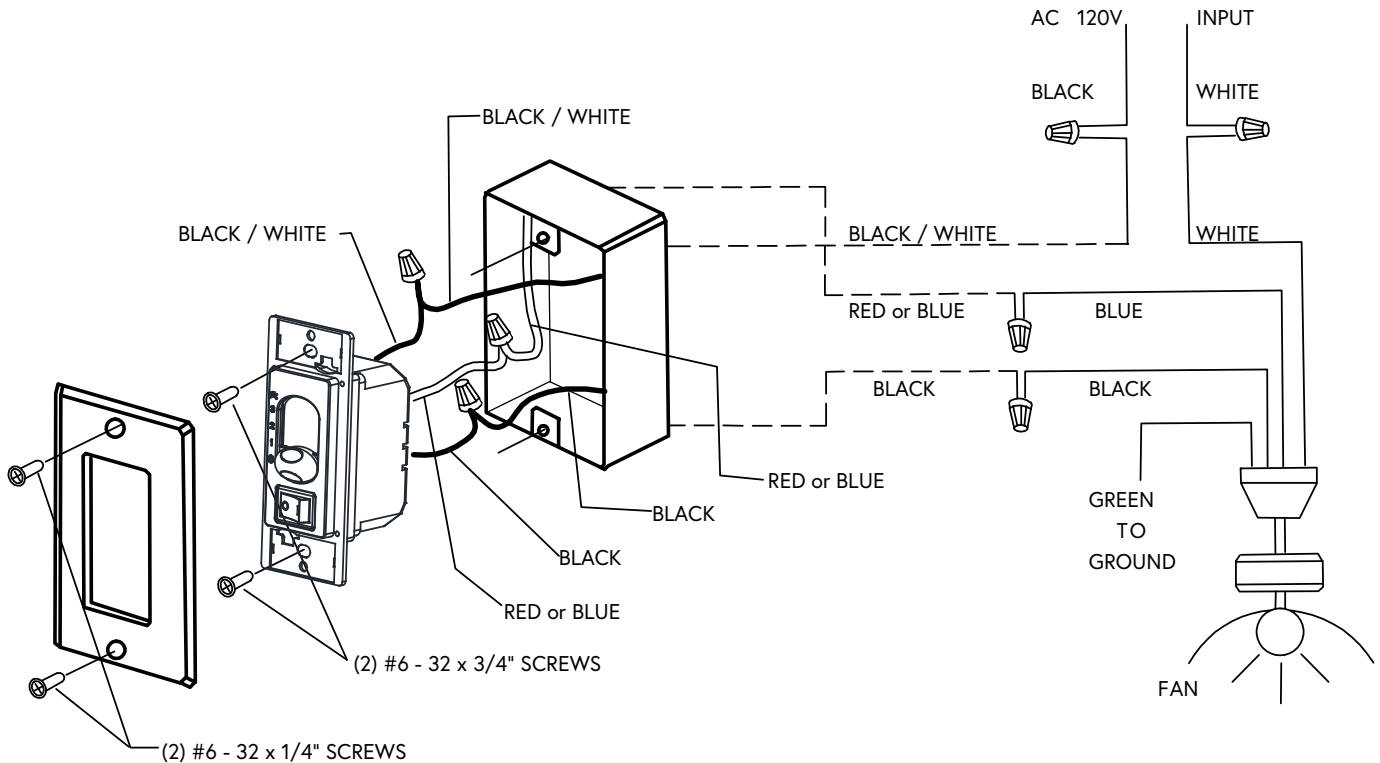
If your outlet box has a ground wire (green or bare copper), connect the wall transmitter's ground wire to it; otherwise connect the wall transmitter's ground wire directly to one of the screws from the outlet box.

3. Secure the wall control to the outlet box using the two 6-32" x 3/4" screws provided.
4. Secure the face plate over the wall control with the two 6-32" x 1/4" screws provided.

**NOTE:** Refer to the Schematic on the back of the wall control.

**NOTE:** INSTALLATION OF THIS WALL CONTROL REQUIRES THAT THE THREE-CONDUCTOR CABLE WITH GROUND WIRE BE RUN BETWEEN THE CONTROL WALL BOX AND THE CEILING FAN OUTLET.

**WARNING:** EACH WIRE NUT (WIRE CONNECTOR) SUPPLIED WITH THIS FAN IS DESIGNED TO ACCEPT UP TO ONE 12 GAUGE HOUSE WIRE AND TWO WIRES FROM THIS FAN. IF YOU HAVE LARGER THAN 12 GAUGE HOUSE WIRING OR MORE THAN ONE HOUSE WIRE TO CONNECT TO THE FAN WIRING, CONSULT AN ELECTRICIAN FOR THE PROPER SIZE WIRE NUTS TO USE.



# OPERATION

---

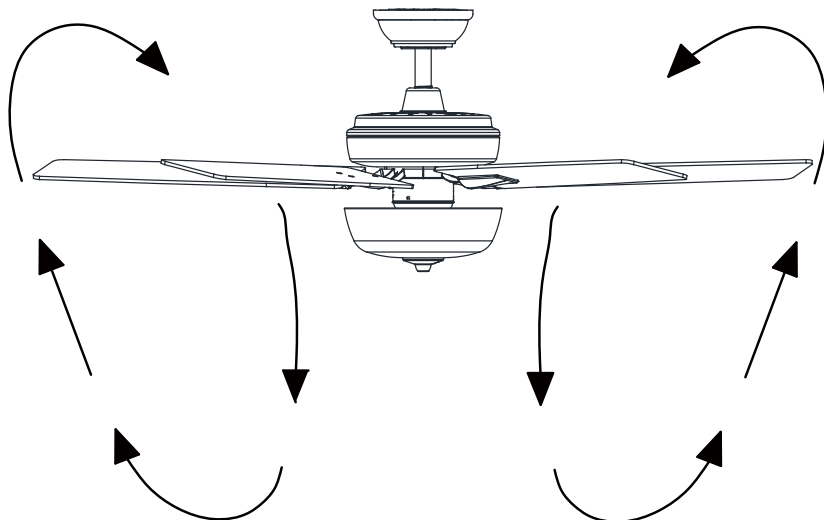
## Summer Mode and Winter Mode Operation

The fan shipped from the factory with the reversing switch positioned to circulate air downward. If airflow is desired in the opposite direction, turn your fan off and wait for the blades to stop turning, then slide the reversing switch (located at the top of the switch cup) to opposite position, and turn fan on again. The fan blades will turn in the opposite direction and reverse airflow.

Speed settings for warm or cold weather depend on factors such as room size, ceiling height and number of fans.

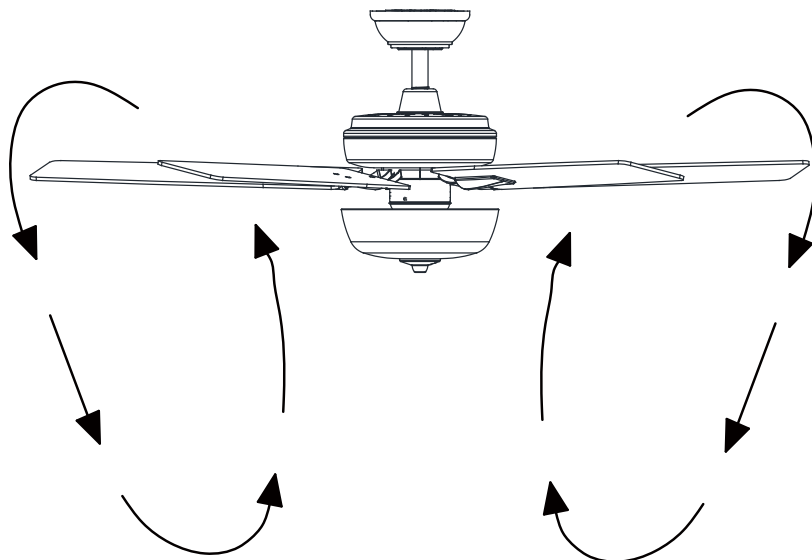
### Summer Mode (forward):

A DOWNWARD airflow creates a cooling effect. This allows you to set your air conditioner on a warmer setting without affecting your comfort.



### Winter Mode (reverse):

A UPWARD airflow moves warmer air off the ceiling area. This allows you to set your heating unit on a cooler setting without affecting your comfort.



## CARE AND CLEANING

---

- Periodically it may be necessary to re-tighten blade to blade arm screws or blade arm to motor screws to prevent clicking or humming sound during operation. This is especially true in climates with broad temperature and humidity ranges.
- When dusting the blades, you must support the blade to prevent bending - no pressure should be applied to the blades. If you experience any flaws in the operation of your fan, please check the following points.

## TROUBLESHOOTING

---

PROBLEM	SOLUTION
FAN WILL NOT START	<ol style="list-style-type: none"><li>1. Check circuit fuses or breakers.</li><li>2. Check wall control LED indicator light. If LED is not illuminated when pushing a button, it is not transmitting a signal. Please check battery, power to wall control/circuit breaker and all electrical connections.</li><li>3. Assure there are no more than 2 fans operating on a circuit through the wall control. Assure that there are no more than 12 fans operating on a circuit through an on/off wall switch or a breaker (not through a wall control).</li><li>4. Assure that the fan is within range of the wall control (30 ft.).</li></ol>
FAN SOUNDS NOISY	<ol style="list-style-type: none"><li>1. Allow a 24-hour "breaking-in" period. Most noise associated with a new fan will disappear during this time.</li><li>2. Make sure all motor housing screws are securely fastened.</li><li>3. Make sure the screws that attach the fan blade to the fan are tight.</li><li>4. Make sure your ceiling box is secure and rubber isolator pads are used between the mounting bracket and outlet box.</li></ol>
FAN WOBBLER	<ol style="list-style-type: none"><li>1. Check that all blade to motor and blade arm screws are secure.</li><li>2. If the blade wobble is still noticeable, interchanging two adjacent (side by side) blades can redistribute the weight and possibly result in smoother operation.</li><li>3. Make sure the mounting plate is securely fastened to the ceiling outlet box.</li><li>4. Make sure ceiling box is secure.</li></ol>

# KUZCO GROUP CEILING FAN LIFETIME LIMITED WARRANTY

---

Kuzco Group products are warranted against defects in materials and construction, subject to conditions and exclusions, for a period of one (1) year from the date of product shipment to the customer. Kuzco Group warrants the original owner that the motor in the fan will be free from defects for the lifetime of the fan. This warranty does not apply to fans which have been damaged because of improper installation, removed from the original installation or subjected to use for which the fan was not designed. The customer is responsible for any cost of removing the old fan, installing a new fan or any other costs. This limited lifetime warranty is in lieu of all other expressed warranties. Kuzco Group shall not be liable for any incidental or consequential damages.

Below is a detailed list of items warranted:

PART	RESIDENTIAL USE	COMMERCIAL/HOSPITALITY USE
Motor	Lifetime	Lifetime
Integrated LED Components	1 year	1 year
LED Bulbs	1 year	1 year
Blades, Controls, Switches, Capacitors, Hardware	1 year	1 year

**What is covered?**

- Parts that arrive damaged
- Parts missing from the box
- Parts that do not function properly
- Parts that have ceased proper functioning within warranty limits

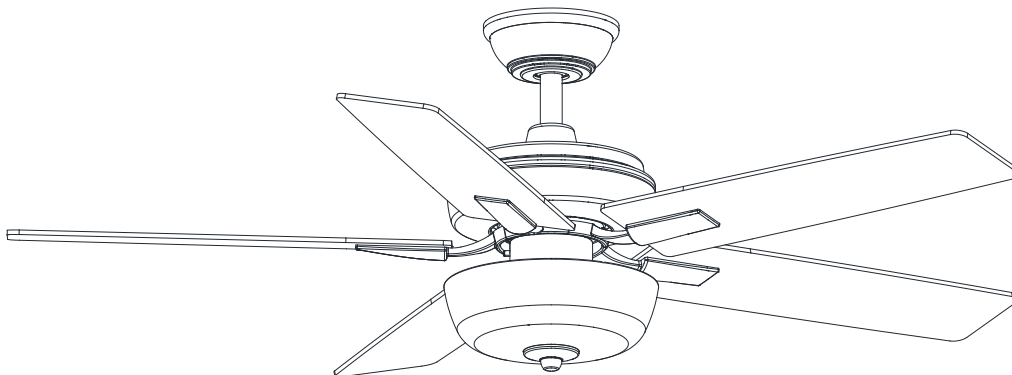
**What is not covered?**

- Installation costs
- Parts worn down with regular usage
- Parts damaged in installation
- Modified parts
- Parts out of warranty

**WARRANTY APPLIES ONLY TO ORIGINAL PURCHASER FROM AN AUTHORIZED KUZCO GROUP DISTRIBUTOR.**

# KUZCO

## VENTILATEUR DE PLAFOND ERIKSON FICHE D'INSTRUCTION



MODÈLE CF78752-XX-LKW



Scannez ce code QR avec votre téléphone pour visionner notre vidéo d'installation  
pas à pas ou visitez le site  
<https://kuzcolighting.com/fan-resources>.

TF. 1.855.855.8926 | T. 604 538 7162 | F. 604 538 7196

CANADA: 19054 28th Ave., - Surrey, BC V3Z 6M3

USA: 3035 E. Lone Mountain Rd. - Las Vegas, NV 89081

[www.kuzcolighting.com](http://www.kuzcolighting.com)

20230505

# INFORMATION DE SÉCURITÉ

---

1. Pour réduire le risque de choc électrique, assurez-vous que l'électricité a été coupée au niveau du disjoncteur ou de la boîte à fusibles avant de commencer.
2. Tout le câblage doit être conforme au Code national de l'électricité et aux codes électriques locaux. L'installation électrique doit être effectuée par un électricien qualifié et agréé.
3. ATTENTION : Lisez toutes les instructions et informations de sécurité avant d'installer votre nouveau ventilateur. Examinez les schémas d'assemblage ci-joints.
4. AVERTISSEMENT : Pour réduire les risques d'incendie, d'électrocution ou de blessure, installez le ventilateur dans une boîte de sortie homologuée UL portant la mention "acceptable pour le support d'un ventilateur de 15,9 kg (35 lbs) ou moins" et utilisez les vis de montage fournies avec la boîte de sortie. La plupart des boîtes de sortie couramment utilisées pour le support des appareils d'éclairage ne sont pas acceptables pour le support des ventilateurs et peuvent devoir être remplacées. En raison de la complexité de l'installation de ce ventilateur, il est fortement recommandé de faire appel à un électricien qualifié et agréé.
5. La boîte de sortie et la structure de support doivent être solidement montées et capables de supporter de manière fiable un minimum de 15,9 kg (35 lbs). N'utilisez que des boîtes de sortie homologuées UL portant la mention "acceptable pour le support d'un ventilateur de 15,9 kg (35 lbs) ou moins".
6. Le ventilateur doit être monté avec un espace minimum de 2,3 m entre le bord de fuite des pales et le sol. L'extrémité des pales du ventilateur par rapport au mur ou à l'obstacle le plus proche : 30 pouces.
7. Évitez de placer des objets dans la trajectoire des pales.
8. Pour éviter les blessures ou les dommages au ventilateur et à d'autres objets, soyez prudent lorsque vous travaillez autour du ventilateur ou lorsque vous le nettoyez.
9. N'utilisez pas d'eau ni de détergents pour nettoyer le ventilateur ou ses pales. Un chiffon sec ou légèrement humidifié suffit pour la plupart des nettoyages.
10. Après avoir effectué les connexions électriques, les conducteurs épissés doivent être tournés vers le haut et poussés avec précaution dans la boîte de sortie. Les fils doivent être écartés, le conducteur de mise à la terre et le conducteur de mise à la terre de l'équipement se trouvant d'un côté de la boîte de sortie.
11. Les schémas électriques sont fournis à titre de référence uniquement. Les kits d'éclairage qui ne sont pas fournis avec le ventilateur doivent être répertoriés UL et cUL et marqués comme étant adaptés à l'utilisation du modèle de ventilateur que vous installez. Les interrupteurs doivent être des interrupteurs à usage général UL et cUL. Reportez-vous aux instructions fournies avec les kits d'éclairage et les interrupteurs pour un assemblage correct.
12. Ne pas actionner l'inverseur lorsque les pales du ventilateur sont en mouvement. Le ventilateur doit être éteint et les pales arrêtées avant d'inverser le sens des pales.

**AVERTISSEMENT:** Pour réduire le risque d'incendie, de choc électrique ou de blessure corporelle. N'utilisez pas de pièces de rechange qui n'ont pas été recommandées par le fabricant (par exemple, des pièces fabriquées à la maison à l'aide d'une imprimante 3D).

**AVERTISSEMENT:** SI UN MOUVEMENT OSCILLATOIRE INHABITUEL EST OBSERVÉ, CESSEZ IMMÉDIATEMENT D'UTILISER LE VENTILATEUR DE PLAFOND ET CONTACTEZ LE FABRICANT, SON AGENT DE SERVICE OU DES PERSONNES DÛMENT QUALIFIÉES.

**AVERTISSEMENT:** POUR RÉDUIRE LES RISQUES DE BLESSURES, NE PLIEZ PAS LES BRAS DE PALE (ÉGALEMENT APPELÉS BRIDES) LORS DE L'INSTALLATION DES SUPPORTS, DE L'ÉQUILIBRAGE DES PALES OU DU NETTOYAGE DU VENTILATEUR.

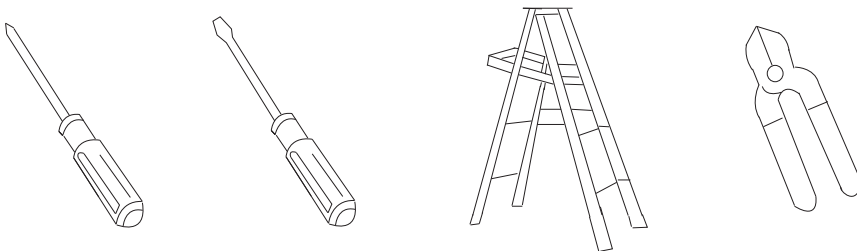
**LISEZ ET CONSERVEZ CES INSTRUCTIONS.**

# CONTENU DE L'EMBALLAGE

- Sécurité
- Outils nécessaires
- Matériel inclus
- Contenu de l'emballage
- Assemblage du ventilateur
- Connexions électriques
- Installation des pales du ventilateur

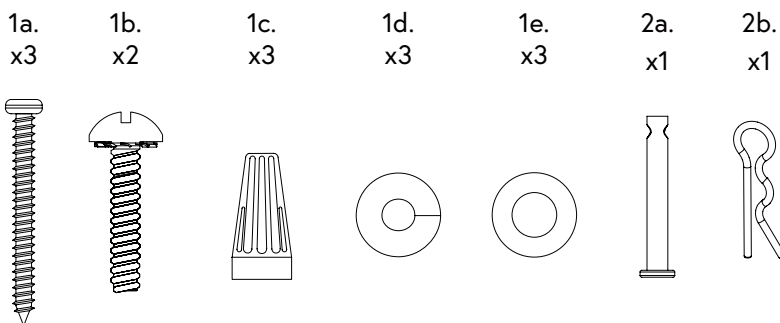
## OUTILS NÉCESSAIRES

- Tournevis cruciforme
- Tournevis à tête plate
- Escabeau
- Coupe-fil



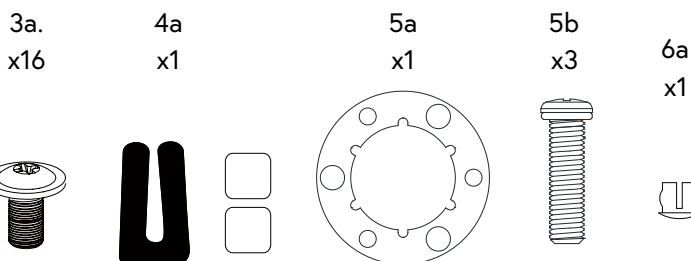
## MATÉRIEL INCLUS

- Matériel de montage du support
  - vis à bois (1a)
  - vis (1b)
  - écrous en fil de fer (1c)
  - rondelles de blocage (1d)
  - rondelles plates (1e)
- Matériel de montage du ventilateur
  - axe de chape (2a)
  - goupille fendue (2b)



- vis de bras de pale à pale (3a)

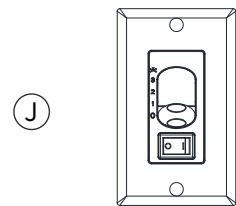
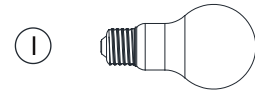
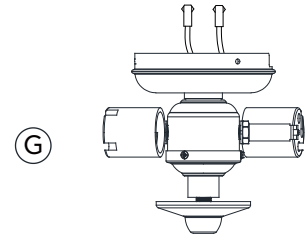
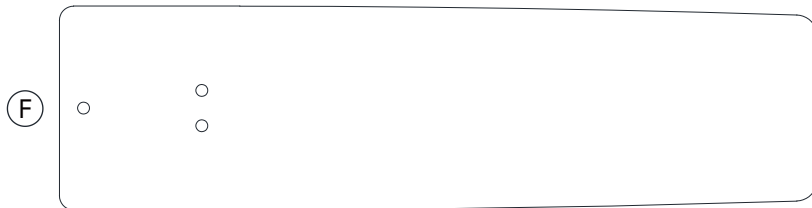
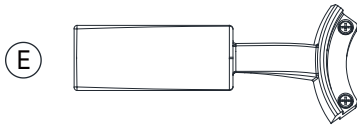
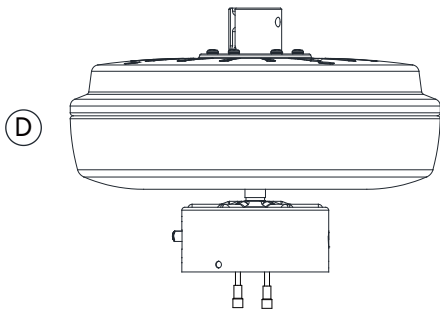
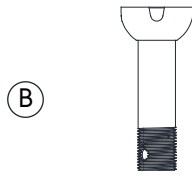
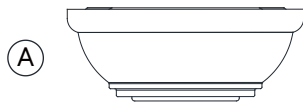
- Kit d'équilibrage (4a)
- Joint en caoutchouc (5a)



- Vis à tête fendue (5b)

- Bouchon plastique (6a)

# PACKAGE CONTENTS



Partie	Description	Quantité
A	Auvent	1
B	Assemblage de la tige de descente	1
C	Couvercle d'accouplement	1
D	Moteur du ventilateur	1
E	Bras de lame	5
F	Lame	5
G	Kit d'éclairage	1
H	Abat-jour	1
I	Ampoule	2
J	Commande murale	1

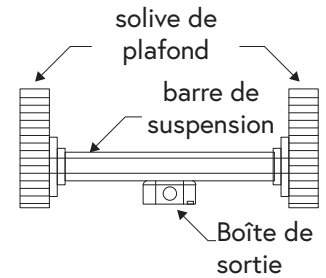
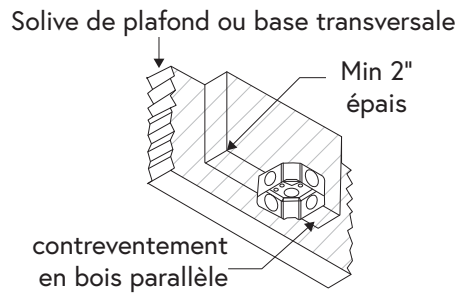
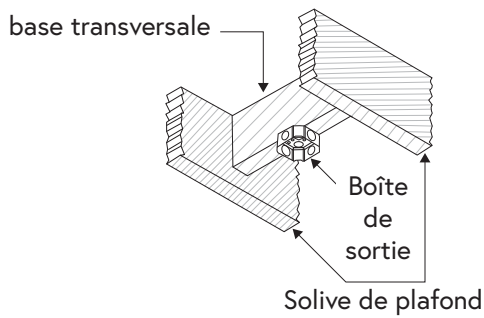


# PRÉPARATION DU MATÉRIEL DE MONTAGE

## OPTIONS DE MONTAGE DE LA BOÎTE DE SORTIE

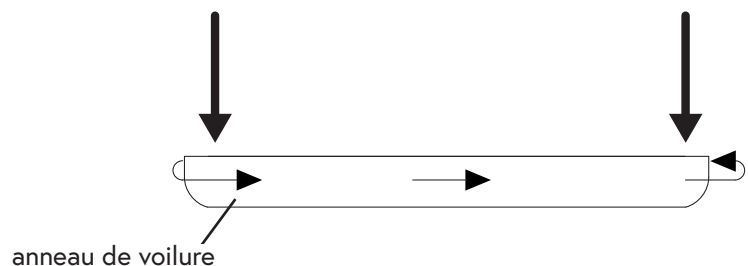
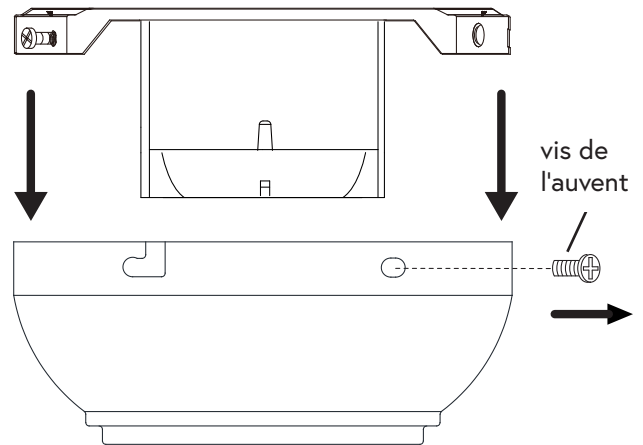
S'il n'existe pas de boîte de montage octogonale répertoriée UL et marquée "Acceptable pour le support du ventilateur", suivez les instructions ci-dessous. (**RAPPEL:** une boîte de jonction électrique utilisée avec des luminaires n'est pas acceptable pour cette application).

- Avant de commencer l'installation du boîtier de montage, coupez le courant au niveau du disjoncteur de la boîte à fusibles.
- Fixez le boîtier directement à la structure du bâtiment. Les figures ci-dessous montrent 3 exemples de méthodes.



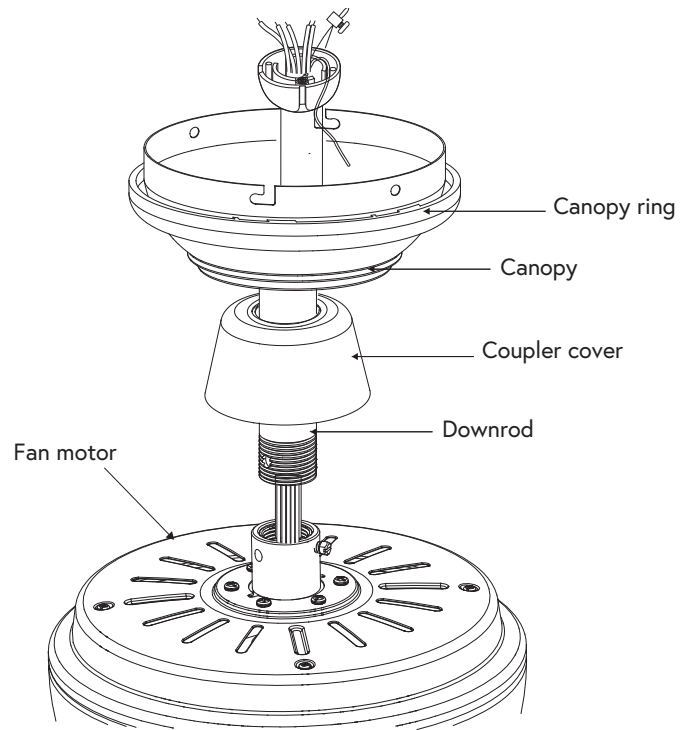
## PRÉPARATION DU MONTAGE - MONTAGE AU PLAFOND STANDARD

1. Retirez l'anneau de la voilure en tournant l'anneau jusqu'à ce qu'il se déverrouille.
2. Retirez le support de montage de la voilure en desserrant les deux vis de la voilure situées dans les fentes en forme de "L".
3. Retirez et conservez les deux vis de l'auvent situées dans les trous ronds. Cela vous permettra de retirer le support de montage.



## ROUTING THE WIRES - STANDARD CEILING MOUNT

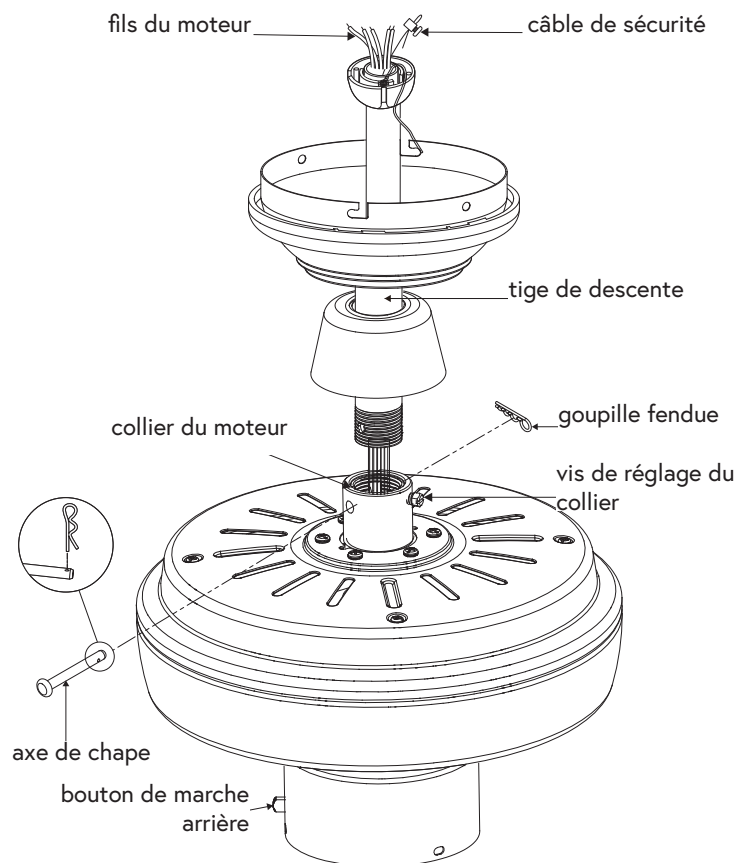
1. Glissez la verrière, l'anneau de la verrière et le couvercle du coupleur sur la tige descendante.
2. Faites passer avec précaution les fils du moteur et le câble de sécurité par le haut du moteur du ventilateur à travers la tige de descente.



## MONTAGE DU VENTILATEUR - MONTAGE AU PLAFOND STANDARD

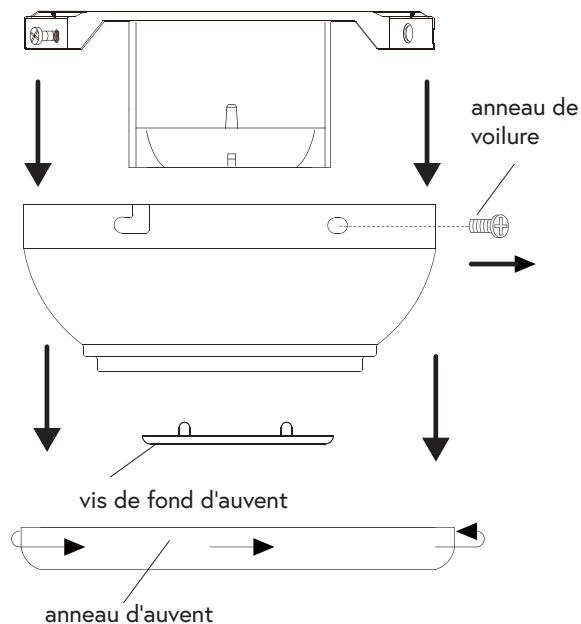
**AVERTISSEMENT:** Si la goupille fendue n'est pas correctement installée, le ventilateur risque de se détacher et de tomber.

1. Desserrez, mais ne retirez pas, la vis de réglage du collier du moteur situé sur le dessus du moteur du ventilateur.
2. Enfilez la tige descendante dans le collier jusqu'à ce que les trous situés à la base de la tige descendante soient alignés avec les trous du collier.
3. Insérez avec précaution l'axe de chape dans les trous du collier et de la tige descendante. Veillez à ne pas coincer l'axe de chape contre le câblage à l'intérieur de la tige descendante.
4. Insérez la goupille fendue dans le trou situé près de l'extrémité de l'axe de chape jusqu'à ce qu'elle s'enclenche dans sa position verrouillée.
5. Resserrez la vis de pression sur le collier situé sur le dessus du moteur du ventilateur.



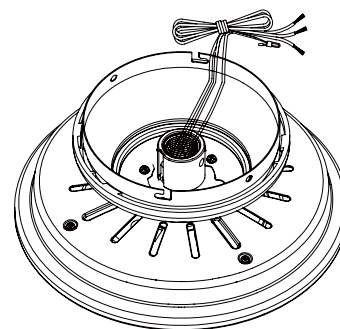
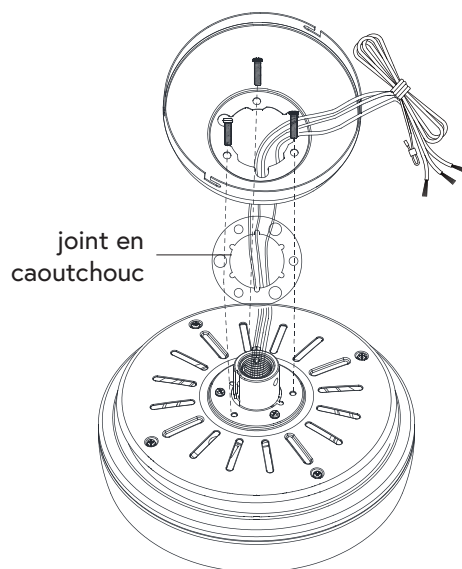
## PRÉPARATION DU MONTAGE - MONTAGE PRÈS DU PLAFOND

1. Retirez l'anneau de la voilure en tournant l'anneau jusqu'à ce qu'il se déverrouille.
2. Retirez le support de montage de la voilure en desserrant les deux vis de la voilure situées dans les fentes en forme de "L".
3. Retirez et conservez les deux vis de l'auvent situées dans les trous ronds. Cela vous permettra de retirer le support de montage.
4. Retirez le couvercle inférieur décoratif de l'auvent en appuyant sur les trois goujons situés à l'intérieur de la partie inférieure de l'auvent.



## PASSAGE DES FILS - MONTAGE À PROXIMITÉ DU PLAFOND

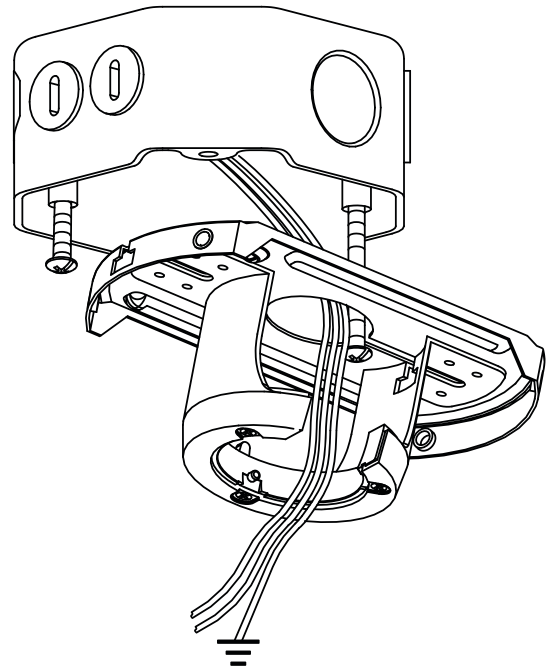
1. Retirer trois des six vis et rondelles de blocage (une sur deux) qui fixent le collier du moteur à la partie supérieure de l'ensemble ventilateur-moteur.
2. Acheminer les fils sortant du haut de l'ensemble ventilateur-moteur à travers le joint en caoutchouc en alignant les trous du joint en caoutchouc sur les trois trous de vis de l'ensemble ventilateur-moteur.
3. Faites passer les fils sortant du haut de l'ensemble ventilateur-moteur à travers l'anneau de l'auvent et l'auvent (assurez-vous que les ouvertures des fentes pour l'anneau de l'auvent et l'auvent sont en haut). Placez l'auvent sur le collier situé au sommet du moteur.
4. Aligner les trous de montage du store avec les trous de vis du moteur et fixer avec les trois vis plus longues et les rondelles de blocage fournies. Serrer fermement les vis.



## INSTALLATION DU SUPPORT DE SUSPENSION

**ATTENTION:** POUR ÉVITER TOUT RISQUE D'ÉLECTROCUTION, ASSUREZ-VOUS QUE L'ÉLECTRICITÉ EST COUPÉE AU NIVEAU DE LA BOÎTE D'ALIMENTATION PRINCIPALE AVANT DE PROCÉDER AU CÂBLAGE. TOUTS LES CÂBLAGES DOIVENT ÊTRE CONFORMES AUX CODES ÉLECTRIQUES NATIONAUX ET LOCAUX ET LE VENTILATEUR DE PLAFOND DOIT ÊTRE MIS À LA TERRE AFIN D'ÉVITER TOUT RISQUE D'ÉLECTROCUTION.

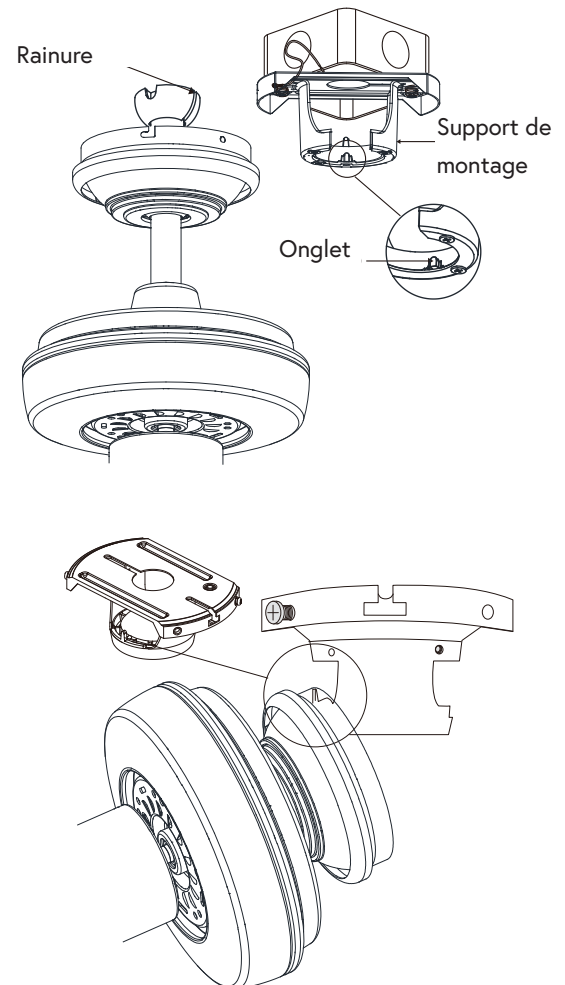
1. Desserrez les deux vis de montage de la boîte de sortie. Faites passer les fils d'alimentation de 120 volts par le trou central du support de montage coulissant.
2. Faites glisser le support de montage coulissant sur les vis de montage et centrez le support de montage coulissant par rapport à la boîte de sortie. Si nécessaire, utilisez des rondelles de nivellement (non fournies) entre le support de montage à glissière et la boîte de sortie. Le côté plat du support de montage coulissant doit être orienté vers la boîte de sortie, comme illustré.
3. Serrez fermement les deux vis de montage.



## SUSPENDRE LE VENTILATEUR

**AVERTISSEMENT:** La languette de l'anneau doit reposer dans la rainure de l'ensemble boule de suspension/tige descendante. Si la languette n'est pas correctement placée dans la rainure, le câblage risque d'être endommagé.

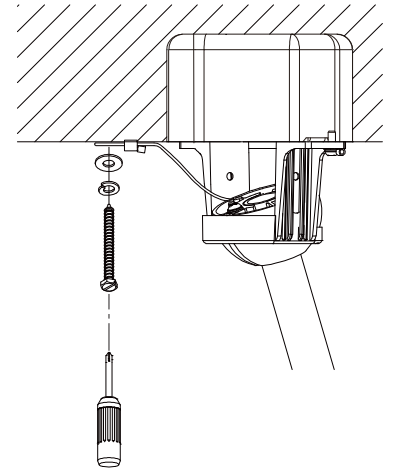
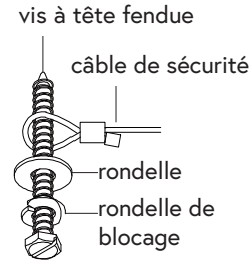
1. Soulevez avec précaution le moteur du ventilateur jusqu'au support de montage.
2. Placer la boule de suspension de l'ensemble boule/tige descendante dans l'embase du support de montage. Veillez à ce que la languette de l'embase du support de montage soit correctement insérée dans la rainure de la boule de suspension.



# INSTALLATION DU SUPPORT DU CÂBLE DE SÉCURITÉ

**REMARQUE:** Si vous installez le câble de sécurité du support secondaire aux États-Unis, n'enlevez pas les débouchures dans la boîte de sortie.

1. Pour les installations au Canada et pour les combinaisons de ventilateurs et de kits d'éclairage de plus de 35 livres aux États-Unis, en mode encastré ou à tige descendante, le câble de sécurité doit être installé dans les poutres de la structure de la maison à l'aide des vis de fixation de 3 pouces, des rondelles et des rondelles de blocage fournies. Veillez à ce que, lorsque le câble de sécurité est entièrement déployé, les fils conducteurs soient plus longs que le câble et qu'aucune tension ne soit exercée sur les fils conducteurs.

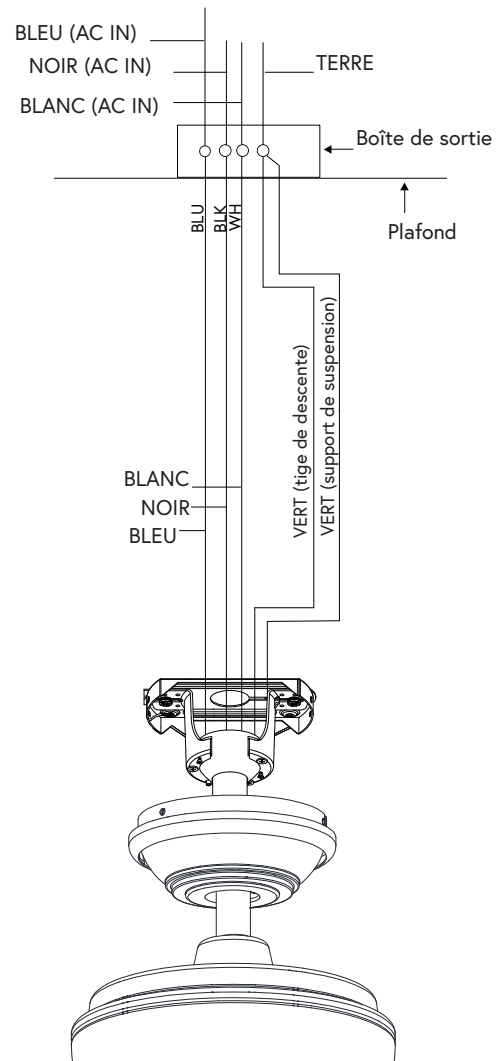


## RACCORDEMENTS ÉLECTRIQUES

**AVERTISSEMENT:** Pour éviter tout risque d'électrocution, assurez-vous que l'électricité est coupée au niveau de la boîte à fusibles principale avant de procéder à l'installation.

**AVERTISSEMENT:** Vérifiez que toutes les connexions sont bien serrées, y compris la mise à la terre, et qu'aucun fil dénudé n'est visible au niveau des écrous, à l'exception du fil de mise à la terre.

1. Connectez le fil **BLEU** du moteur du ventilateur au fil **BLEU** de la maison et fixez-le à l'aide de l'écrou fourni.
2. Connecter le fil **NOIR** du moteur du ventilateur au fil **NOIR** de la maison, fixer avec l'écrou fourni.
3. Connecter le fil **BLANC** neutre du ventilateur au fil **BLANC** de la maison, fixer avec l'écrou fourni.
4. Connectez le fil de terre **CUIVRE** du bâtiment aux 2 fils de terre **VERTS** du ventilateur.



## FIXATION DU VENTILATEUR

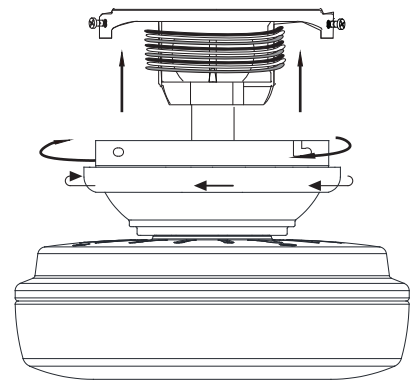
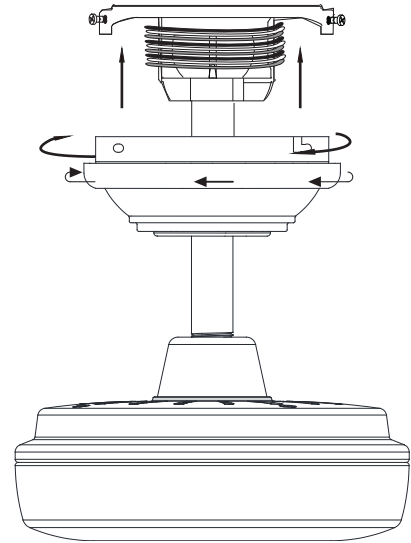
**AVERTISSEMENT:** Lors de l'utilisation de la fixation standard à boule/tige de descente, la languette de l'anneau au bas du support de fixation doit reposer dans la rainure de la boule de suspension. Si la languette ne s'insère pas correctement dans la rainure, le câblage risque d'être endommagé.

### STANDARD:

1. Alignez les fentes de verrouillage du baldaquin avec les deux vis du support de montage. Poussez vers le haut pour engager les fentes et tournez dans le sens des aiguilles d'une montre pour verrouiller en place.
2. Serrez fermement les deux vis de montage.
3. Installez les deux vis de montage (conservées à l'étape 1 de l'assemblage "Préparation du montage") dans les trous de l'auvent et serrez-les fermement.
4. Installez l'anneau décoratif de l'auvent en alignant les fentes de l'anneau sur les vis de l'auvent. Tournez l'anneau pour le verrouiller en place.

### CLOSE-TO-CEILING:

1. Détachez soigneusement le ventilateur du support de montage et alignez les fentes de verrouillage de l'auvent de plafond avec les deux vis du support de montage. Poussez vers le haut pour engager les fentes et tournez dans le sens des aiguilles d'une montre pour verrouiller l'auvent en place. Serrez immédiatement les deux vis de montage fermement.
2. Installez les deux autres vis de montage dans les trous de l'auvent et serrez-les fermement.
3. Installez l'anneau décoratif de l'auvent en alignant les fentes de l'anneau sur les vis de l'auvent. Tournez l'anneau pour le verrouiller en place.

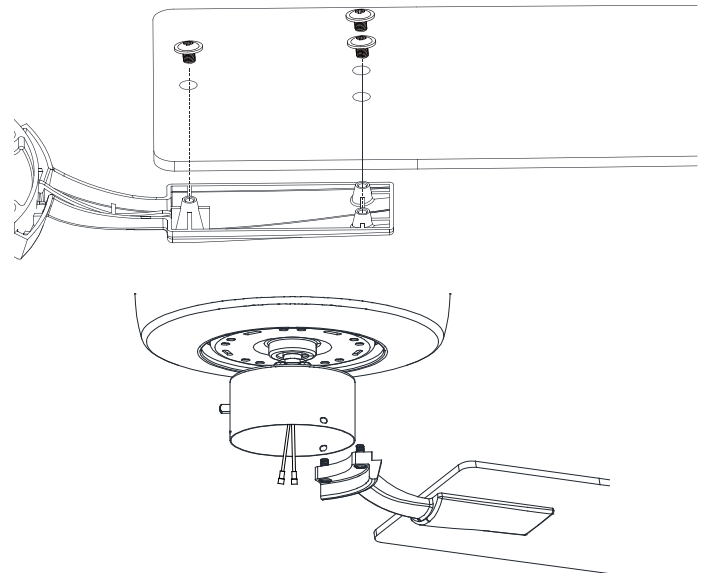


## FIXATION DES PALES DU VENTILATEUR

**AVERTISSEMENT:** RETIREZ LES BUTÉES EN CAOUTCHOUC DU MOTEUR SITUÉES À LA BASE DU VENTILATEUR AVANT D'INSTALLER LES PALES OU DE TESTER LE MOTEUR.

**REMARQUE:** Les pales de votre ventilateur sont réversibles. Choisissez la finition des pales qui met le mieux en valeur votre décor.

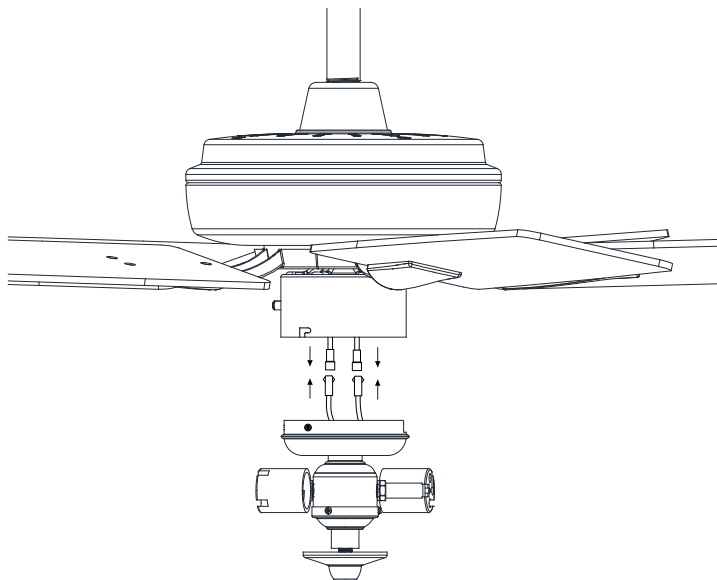
1. Fixez la pale au support de pale à l'aide des vis comme indiqué. Répétez ce processus pour les autres pales.
2. Serrez fermement chaque vis.
3. Fixez l'ensemble des pales au moteur en alignant les trous de vis situés sous le moteur du ventilateur avec les trous situés sur le bras des pales, et en serrant les vis du moteur. Veuillez noter que les vis du moteur sont déjà fixées dans les supports des pales.
4. Répétez l'étape 3 pour les autres pales.



# INSTALLATION DE L'ENSEMBLE DU KIT D'ÉCLAIRAGE

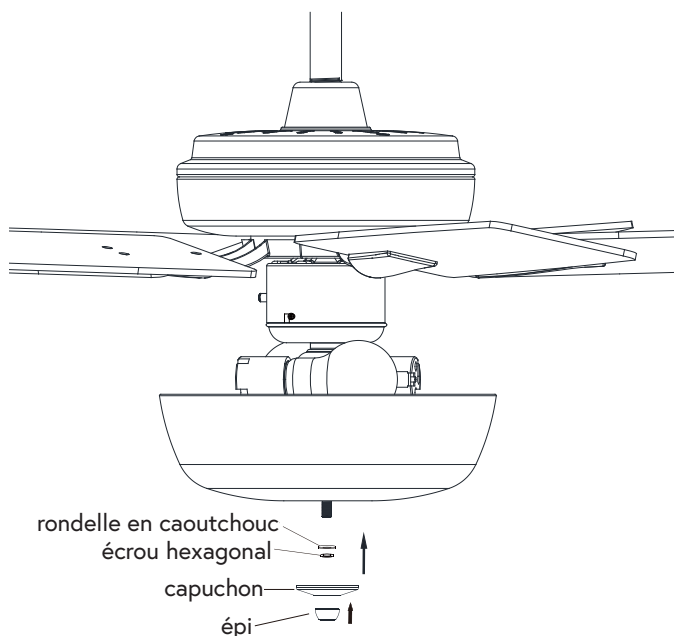
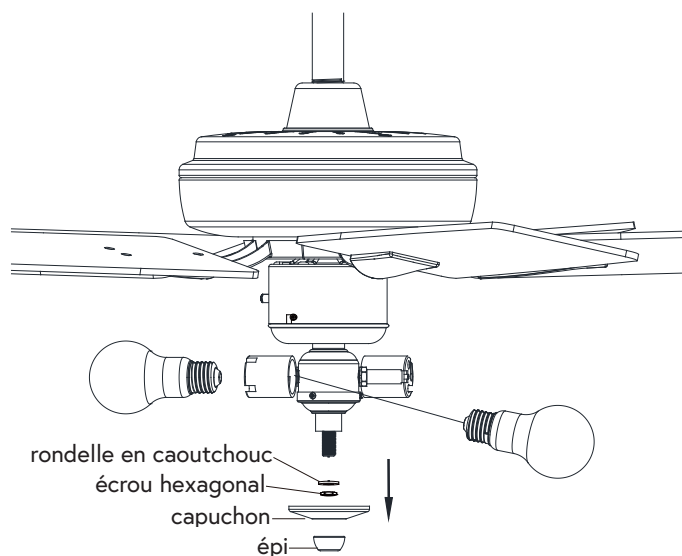
**ATTENTION:** Pour réduire le risque de choc électrique, débranchez le circuit d'alimentation électrique du ventilateur avant d'installer le kit d'éclairage.

1. Desserrer, sans les enlever, deux des trois vis de montage du couvercle de la coupelle d'interrupteur du kit d'éclairage. Retirer une vis de montage.
2. Connectez les fils du boîtier de l'interrupteur aux fils du kit d'éclairage en reliant les fiches d'adaptation moulées (bleu à noir, blanc à blanc).
3. Rentrez soigneusement tous les fils et les épissures dans le boîtier de l'interrupteur.
4. Fixez le couvercle du boîtier de l'interrupteur avec le kit d'éclairage sur le boîtier de l'interrupteur de manière à ce que les deux têtes de vis desserrées s'insèrent dans les fentes du trou de serrure et serrez les vis. Réinstallez la vis qui a été retirée à l'étape 1 et serrez-la fermement.



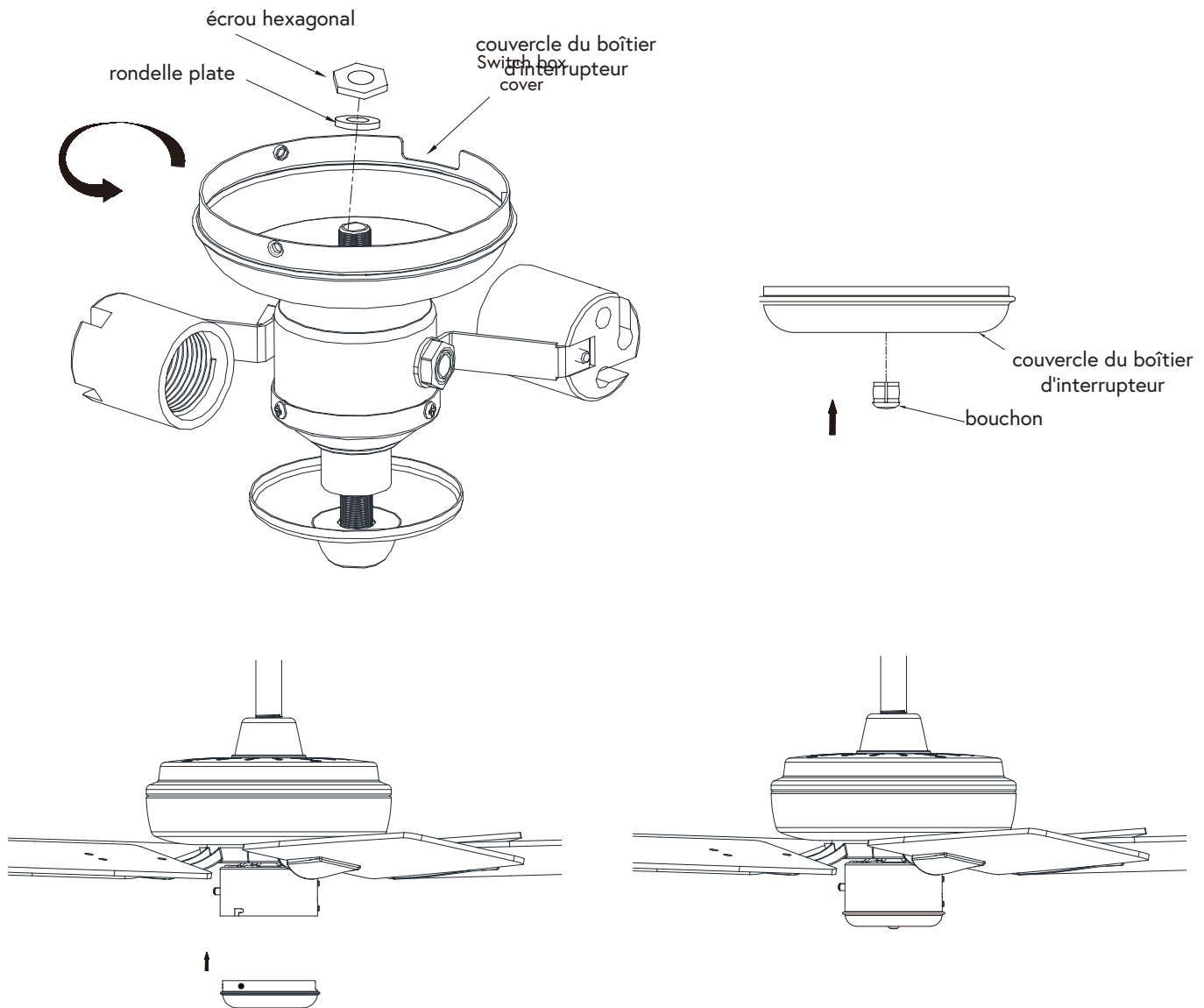
# INSTALLATION DES AMPOULES ET DE L'ABAT-JOUR

1. Retirer l'embout, le capuchon, l'écrou hexagonal et la rondelle en caoutchouc du kit d'éclairage. Installez les deux lampes LED (fournies) dans les douilles du kit d'éclairage.
2. Positionnez l'abat-jour sur le mamelon fileté. Passer la chaîne de traction du ventilateur à travers la rondelle en caoutchouc et l'écrou hexagonal. Serrez l'écrou hexagonal. Faites passer la chaîne de traction du ventilateur à travers l'abat-jour et le capuchon, puis installez et serrez à la main l'épi de façitage.



# ASSEMBLAGE DU VENTILATEUR SANS KIT D'ÉCLAIRAGE

1. Pour utiliser le ventilateur sans le kit d'éclairage, retirez le boîtier de l'interrupteur de la partie supérieure de l'ensemble de montage du kit d'éclairage en retirant l'écrou hexagonal central à l'intérieur du boîtier de l'interrupteur, puis retirez le boîtier de l'interrupteur du mamelon fileté situé sur la partie supérieure de l'ensemble de montage du kit d'éclairage.
2. Enfoncez le bouchon en plastique (fourni) dans le trou central du boîtier de l'interrupteur.
3. Retire un tornillo de la tapa de la caja del interruptor y afloje, pero no retire los dos tornillos.
4. Positionnez le boîtier de l'interrupteur sur la coupelle de l'interrupteur et réinstallez les vis de montage du kit d'éclairage.





# COMMANDE MURALE - RÉALISATION DES CONNEXIONS ÉLECTRIQUES

**N'OUBLIEZ PAS** de débrancher l'électricité. Si vous pensez ne pas avoir suffisamment de connaissances ou d'expérience en matière de câblage électrique, faites installer votre ventilateur par un électricien agréé.

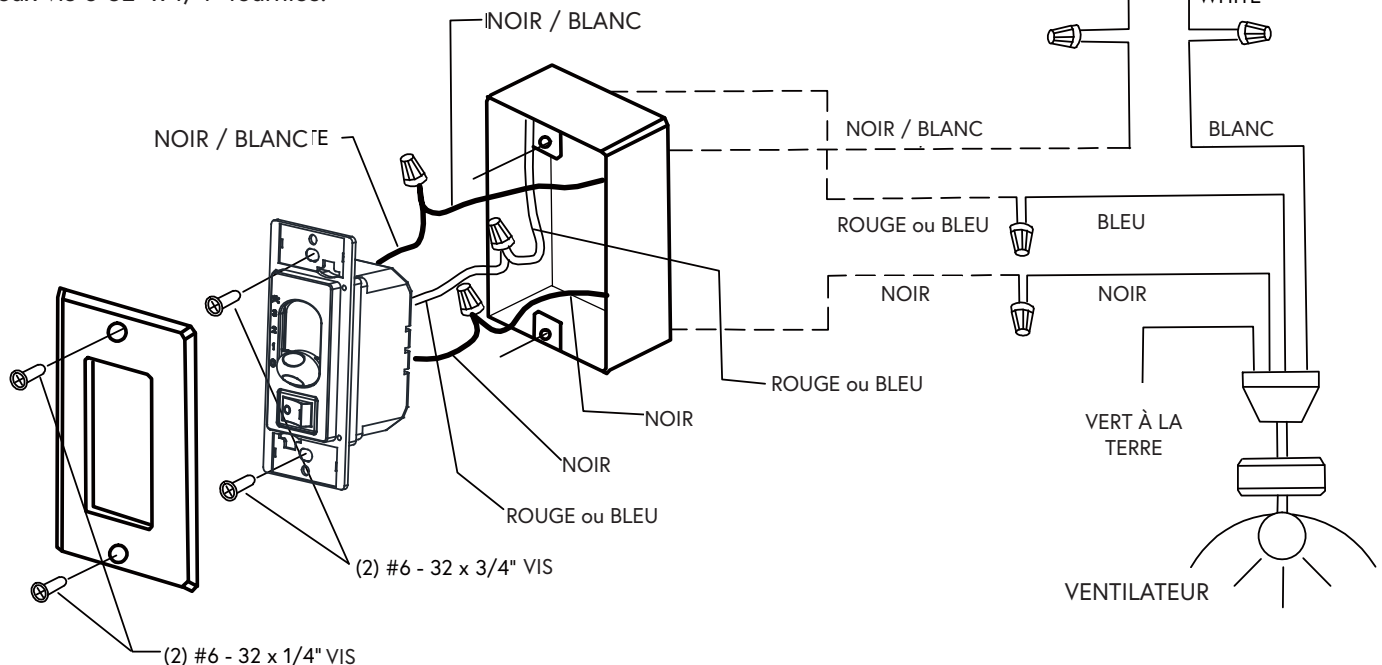
Suivez les étapes ci-dessous pour raccorder le ventilateur au réseau électrique de votre maison. Utilisez les connecteurs de fils fournis avec votre ventilateur. Fixez les connecteurs avec du ruban adhésif. Veillez à ce qu'il n'y ait pas de brins ou de connexions lâches.

1. Après avoir coupé l'électricité au niveau de la boîte à fusibles principale ou du panneau de disjoncteurs, retirez la plaque murale et l'interrupteur existants.
2. Procédez au raccordement des fils comme suit (assurez-vous que les interrupteurs à glissière du ventilateur et de la lumière de la commande murale sont en position "OFF") ; Raccordez le fil noir solide de la commande murale au fil noir du ventilateur. Connectez le fil rouge ou bleu de la commande murale au fil noir du ventilateur. Connectez le fil noir avec des bandes blanches de la commande murale au fil chaud de 120V AC. Utilisez les connecteurs de fils fournis pour sécuriser les connexions.
3. Si votre boîte de sortie possède un fil de terre (vert ou cuivre nu), connectez-y le fil de terre de l'émetteur mural ; sinon, connectez le fil de terre de l'émetteur mural directement à l'une des vis de la boîte de sortie.
4. Fixez la commande murale à la boîte de sortie à l'aide des deux vis 6-32" x 3/4" fournies.
5. Fixez la plaque frontale sur la commande murale à l'aide des deux vis 6-32" x 1/4" fournies.

**REMARQUE:** Reportez-vous au schéma figurant au dos de la commande murale.

**NOTE:** L'INSTALLATION DE CETTE COMMANDE MURALE EXIGE QUE LE CÂBLE À TROIS CONDUCTEURS AVEC FIL DE TERRE SOIT ACHÉMINÉ ENTRE LE BOÎTIER MURAL DE LA COMMANDE ET LA PRISE DU VENTILATEUR DE PLAFOND.

**AVERTISSEMENT:** CHAQUE ÉCROU DE FIL (CONNECTEUR DE FIL) FOURNI AVEC CE VENTILATEUR EST CONÇU POUR ACCEPTER JUSQU'À UN FIL DOMESTIQUE DE CALIBRE 12 ET DEUX FILS DE CE VENTILATEUR. SI VOUS AVEZ UN FIL DOMESTIQUE DE CALIBRE SUPÉRIEUR À 12 OU PLUS D'UN FIL DOMESTIQUE À CONNECTER AU CÂBLAGE DU VENTILATEUR, CONSULTEZ UN ÉLECTRICIEN POUR CONNAÎTRE LA TAILLE APPROPRIÉE DES ÉCROUS À UTILISER.



# FONCTIONNEMENT

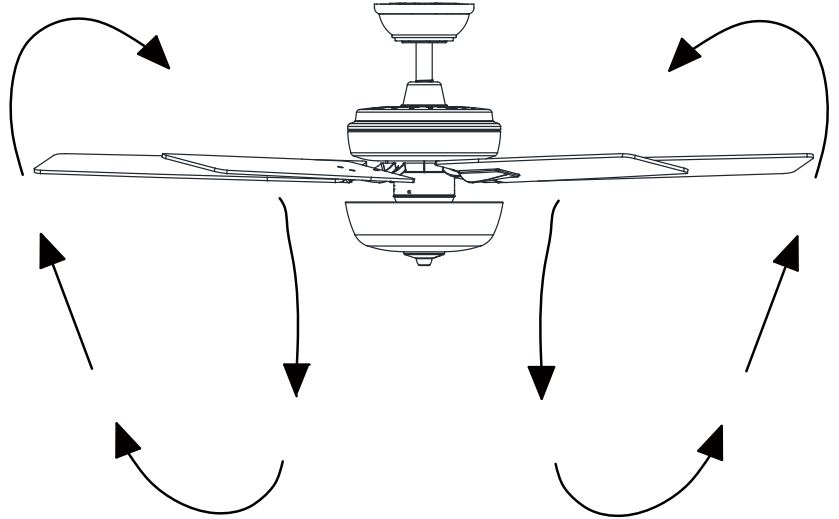
## Fonctionnement en mode été et en mode hiver

Le ventilateur est expédié de l'usine avec le commutateur d'inversion positionné pour faire circuler l'air vers le bas. Si vous souhaitez faire circuler l'air dans la direction opposée, éteignez votre ventilateur et attendez que les pales cessent de tourner, puis faites glisser le commutateur d'inversion (situé en haut de la coupelle du commutateur) dans la position opposée et rallumez le ventilateur. Les pales du ventilateur tourneront dans la direction opposée et inverseront le flux d'air.

Les réglages de vitesse pour le temps chaud ou froid dépendent de facteurs tels que la taille de la pièce, la hauteur du plafond et le nombre de ventilateurs.

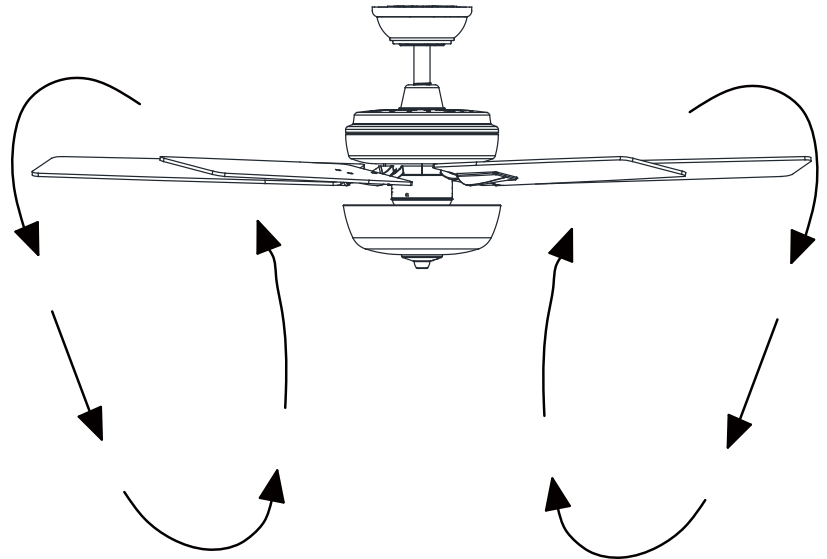
Mode été (vers l'avant):

Un FLUX D'AIR VERS LE BAS crée un effet de refroidissement. Cela vous permet de régler votre climatiseur sur une température plus élevée sans nuire à votre confort.



Mode hiver (inversé) :

Un FLUX D'AIR VERS LE HAUT déplace l'air chaud hors de la zone du plafond. Cela vous permet de régler votre appareil de chauffage sur une température plus basse sans nuire à votre confort.



## ENTRETIEN ET NETTOYAGE

---

- Il peut être nécessaire de resserrer périodiquement les vis de la lame sur le bras de la lame ou les vis du bras de la lame sur le moteur afin d'éviter tout cliquetis ou bourdonnement pendant le fonctionnement. Cela est particulièrement vrai dans les climats où la température et l'humidité varient considérablement.
- Lorsque vous dépoussiérez les pales, vous devez les soutenir pour éviter qu'elles ne se déforment - aucune pression ne doit être exercée sur les pales. Si vous constatez des anomalies dans le fonctionnement de votre ventilateur, vérifiez les points suivants.

## DÉPANNAGE

---

### PROBLÈME

### SOLUTION

LE VENTILATEUR NE DÉMARRE PAS

1. Vérifier les fusibles ou les disjoncteurs du circuit.
2. Vérifier le voyant LED de la commande murale. Si le voyant ne s'allume pas lorsqu'on appuie sur un bouton, cela signifie qu'il ne transmet pas de signal. Vérifiez la batterie, l'alimentation de la commande murale/du disjoncteur et toutes les connexions électriques.
3. Assurez-vous qu'il n'y a pas plus de 2 ventilateurs fonctionnant sur un circuit via la commande murale. Assurez-vous qu'il n'y a pas plus de 12 ventilateurs fonctionnant sur un circuit par l'intermédiaire d'un interrupteur mural ou d'un disjoncteur (pas par l'intermédiaire d'une commande murale).
4. Assurez-vous que le ventilateur se trouve à portée de la commande murale (30 pieds).

LE VENTILATEUR EST BRUYANT

5. Prévoyez une période de rodage de 24 heures. La plupart des bruits associés à un nouveau ventilateur disparaîtront au cours de cette période.
6. Assurez-vous que toutes les vis du boîtier du moteur sont bien fixées.
7. Assurez-vous que les vis qui fixent les pales au ventilateur sont bien serrées.
8. Assurez-vous que votre boîte de plafond est bien fixée et que des tampons isolants en caoutchouc sont utilisés entre le support de montage et la boîte de sortie.

WOBBLES DE VENTILATEUR

9. Vérifiez que toutes les vis de la lame au moteur et au bras de lame sont bien fixées.
10. Si l'oscillation des lames est toujours perceptible, l'échange de deux lames adjacentes (côte à côte) peut permettre de redistribuer le poids et d'obtenir un fonctionnement plus régulier.
11. Assurez-vous que la plaque de montage est bien fixée à la boîte de sortie du plafond.
12. Assurez-vous que la boîte de sortie au plafond est bien fixée.

# GARANTIE LIMITÉE À VIE DES VENTILATEURS DE PLAFOND DU KUZCO GROUP

Les produits du Kuzco Group sont garantis contre les défauts de matériaux et de construction, sous réserve de conditions et d'exclusions, pour une période d'un (1) an à compter de la date d'expédition du produit au client. Kuzco Group garantit au propriétaire initial que le moteur du ventilateur est exempt de défauts pendant toute la durée de vie du ventilateur. Cette garantie ne s'applique pas aux ventilateurs qui ont été endommagés en raison d'une mauvaise installation, retirés de l'installation d'origine ou soumis à une utilisation pour laquelle le ventilateur n'a pas été conçu. Le client est responsable de tous les coûts liés à l'enlèvement de l'ancien ventilateur, à l'installation d'un nouveau ventilateur ou à tout autre coût. Cette garantie limitée à vie remplace toute autre garantie expresse. Kuzco Group n'est pas responsable des dommages accessoires ou indirects.

Vous trouverez ci-dessous une liste détaillée des éléments justifiés:

PIÈCE	USAGE RÉSIDENTIEL	UTILISATION COMMERCIALE/HOSPITALIÈRE
Moteur	Durée de vie	Durée de vie
Composants LED intégrés	1 an	1 an
Ampoules LED	1 an	1 an
Lames, commandes, interrupteurs, condensateurs, matériel	1 an	1 an

## Qu'est-ce qui est couvert?

- Les pièces qui arrivent endommagées.
- Les pièces manquantes dans la boîte
- Les pièces qui ne fonctionnent pas correctement
- Les pièces qui ont cessé de fonctionner correctement dans les limites de la garantie.

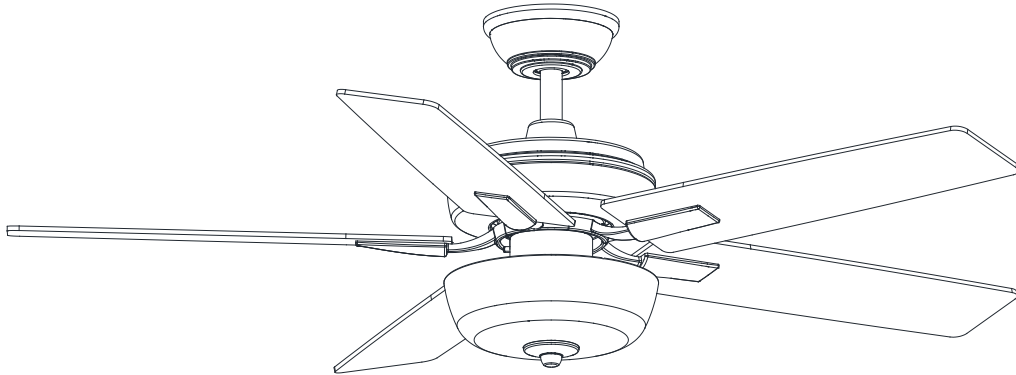
## Qu'est-ce qui n'est pas couvert?

- Coûts d'installation
- Pièces usées par un usage régulier
- Pièces endommagées lors de l'installation
- Pièces modifiées
- Pièces hors garantie

**LA GARANTIE NE S'APPLIQUE QU'A L'ACHETEUR ORIGINAL D'UN CENTRE DE SERVICE AUTORISE  
KUZCO GROUP DISTRIBUTOR.**

# KUZCO

## INSTRUCCIONES DEL VENTILADOR DE TECHO ERIKSON



MODELO CF78752-XX-LKW



Escanee este código QR con su teléfono para ver nuestro video de instalación paso a paso o visite <https://kuzcolighting.com/fan-resources>.

TF. 1.855.855.8926 | T. 604 538 7162 | F. 604 538 7196

CANADA: 19054 28th Ave., - Surrey, BC V3Z 6M3

USA: 3035 E. Lone Mountain Rd. - Las Vegas, NV 89081

[www.kuzcolighting.com](http://www.kuzcolighting.com)

20230505

# INFORMACIÓN DE SEGURIDAD

---

1. Para reducir el riesgo de descarga eléctrica, asegúrese de que la electricidad esté apagada en el disyuntor o en la caja de fusibles antes de comenzar.
2. Todo el cableado debe estar de acuerdo con el Código Eléctrico Nacional y los códigos eléctricos locales. La instalación eléctrica debe ser realizada por un electricista autorizado y calificado.
3. **PRECAUCIÓN:** Lea todas las instrucciones e información de seguridad antes de instalar su nuevo ventilador. Revise los diagramas de montaje adjuntos.
4. **ADVERTENCIA:** Para reducir el riesgo de incendio, descarga eléctrica o lesiones personales, monte en una caja eléctrica homologada por UL marcada como "aceptable para soporte de ventilador de 15,9 kg (35 libras) o menos" y utilice los tornillos de montaje proporcionados con la caja eléctrica. La mayoría de las cajas de salida comúnmente utilizadas para soportar artefactos de iluminación no son aceptables para soportar ventiladores y es posible que sea necesario reemplazarlas. Debido a la complejidad de la instalación de este ventilador, se recomienda encarecidamente contratar a un electricista autorizado y cualificado.
5. La caja eléctrica y la estructura de soporte deben estar montadas de forma segura y ser capaces de soportar de manera confiable un mínimo de 15,9 kg (35 lbs). Utilice únicamente cajas de salida homologadas por UL marcadas como "aceptables para soporte de ventilador de 15,9 kg (35 lbs) o menos".
6. El ventilador debe montarse con una distancia mínima de 2,3 m desde el borde posterior de las aspas hasta el suelo. La punta de las aspas del ventilador a la pared/obstrucción más cercana: 30 pulgadas.
7. Evite colocar objetos en el camino de las aspas.
8. Para evitar lesiones personales o daños al ventilador y otros elementos, tenga cuidado al trabajar o limpiar el ventilador.
9. No utilice agua ni detergentes para limpiar el ventilador o las aspas del ventilador. Un paño seco para el polvo o un paño ligeramente humedecido serán adecuados para la mayoría de las limpiezas.
10. Después de realizar las conexiones eléctricas, los conductores empalmados deben girarse hacia arriba y empujarse con cuidado hacia la caja eléctrica. Los cables deben estar separados con el conductor a tierra y el conductor a tierra del equipo en un lado de la caja eléctrica.
11. Los diagramas eléctricos son solo para referencia. Los kits de iluminación que no vienen incluidos con el ventilador deben estar homologados por UL y cUL y estar marcados como adecuados para su uso con el modelo de ventilador que está instalando. Los interruptores deben ser interruptores de uso general UL y cUL. Consulte las instrucciones empaquetadas con los kits de luces y los interruptores para un montaje adecuado.
12. No opere el interruptor de inversión mientras las aspas del ventilador estén en movimiento. Se debe apagar el ventilador y detener las aspas antes de invertir la dirección de las aspas.

**ADVERTENCIA:** PARA REDUCIR EL RIESGO DE INCENDIO, DESCARGA ELÉCTRICA O LESIONES PERSONALES. NO UTILICE PIEZAS DE REPUESTO QUE NO HAYAN SIDO RECOMENDADAS POR EL FABRICANTE (POR EJEMPLO, PIEZAS FABRICADAS EN CASA CON UNA IMPRESORA 3D).

**ADVERTENCIA:** SI OBSERVA UN MOVIMIENTO OSCILANTE INUSUAL, DEJE DE USAR EL VENTILADOR DE TECHO INMEDIATAMENTE Y COMUNÍQUESE CON EL FABRICANTE, SU AGENTE DE SERVICIO O PERSONAS DEBIDAMENTE CALIFICADAS.

**ADVERTENCIA:** PARA REDUCIR EL RIESGO DE LESIONES PERSONALES, NO DOBLE LOS BRAZOS DE LAS ASPAS (TAMBIÉN CONOCIDOS COMO BRIDAS) AL INSTALAR LOS SOPORTES, EQUILIBRAR LAS ASPAS O LIMPIAR EL VENTILADOR.

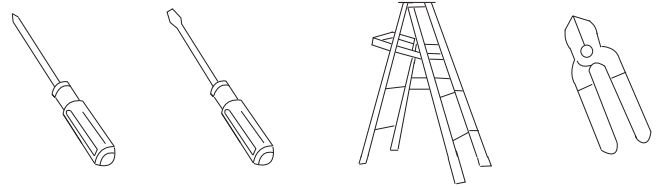
**LEA Y GUARDE ESTAS INSTRUCCIONES.**

# TABLA DE CONTENIDO

- Seguridad
- Herramientas necesarias
- Herrajes incluidos
- Contenidos del paquete
- Ensamblaje del ventilador
- Conexiones eléctricas
- Instalación de las aspas del ventilador
- Instalación del kit de luces
- Operación del ventilador
- Cuidado y Limpieza
- Solución de problemas
- Información de garantía

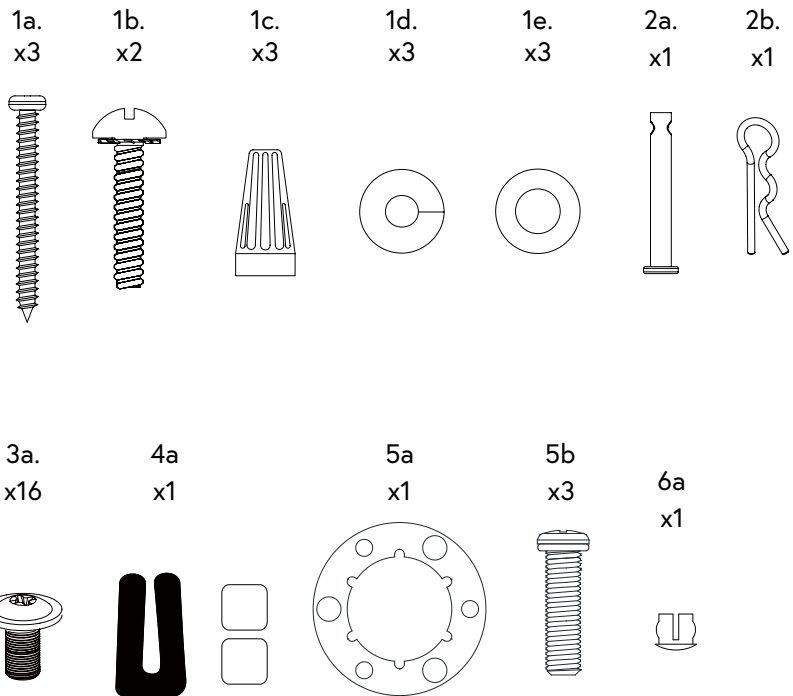
## HERRAMIENTAS NECESARIAS

- Destornillador estrella
- Destornillador de cabeza plana
- Escalera
- Cortador de cables

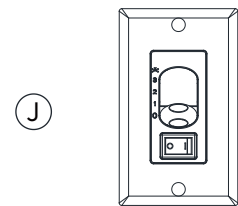
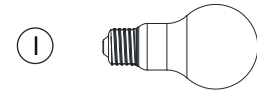
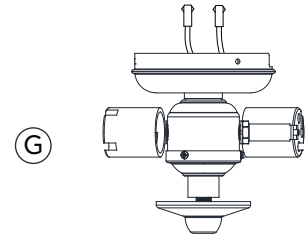
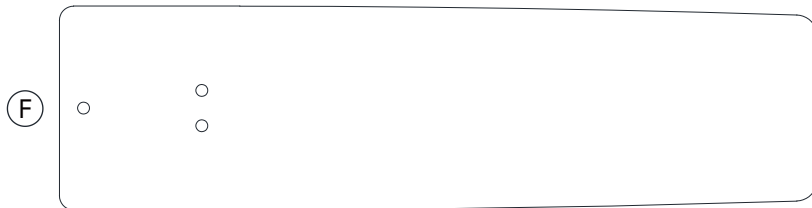
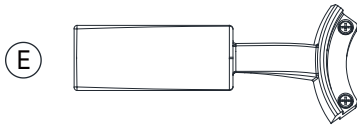
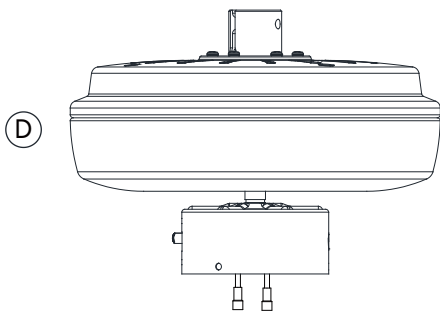
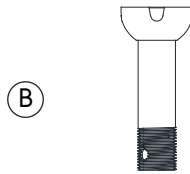
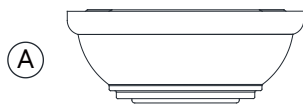


## HERRAJES INCLUIDOS

- Accesorios de montaje del soporte
  - tornillos para madera **(1a)**
  - tornillos **(1b)**
  - tuercas para alambre **(1c)**
  - arandelas de seguridad **(1d)**
  - arandelas planas **(1e)**
- Accesorios para montaje del ventilador
  - pasador de horquilla **(2a)**
  - pasador de chaveta **(2b)**
- Tornillos del brazo de la aspa del ventilador al aspa del ventilador **(3a)**
- Kit de equilibrio **(4a)**
- Junta de goma **(5a)**
- Tornillo **(5b)**
- Tapón de plástico **6a)**



# CONTENIDOS DEL PAQUETE



Parte	Descripción	Cantidad
A	Dosel	1
B	Conjunto de varilla bajante	1
C	Cubierta de acoplamiento	1
D	Motor del ventilador	1
E	Brazos de aspa	5
F	Aspa	5
G	Conjunto del kit de luces	1
H	Sombra	1
I	Bombilla	2
J	Control de pared	1

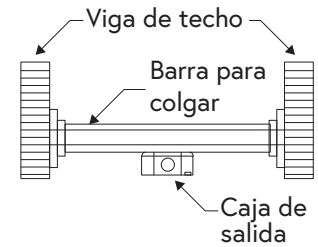
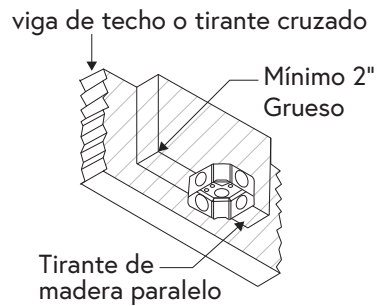
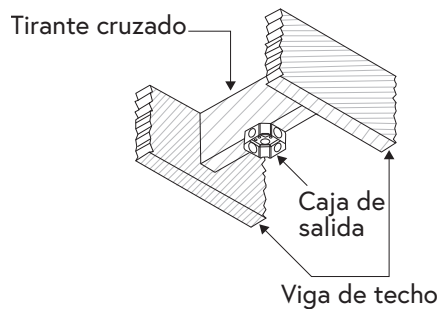


# PREPARACIÓN DE LOS ACCESORIOS DE MONTAJE

## OPCIONES DE MONTAJE DE CAJA ELÉCTRICA

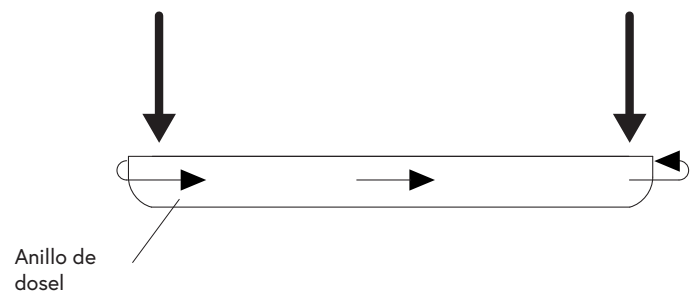
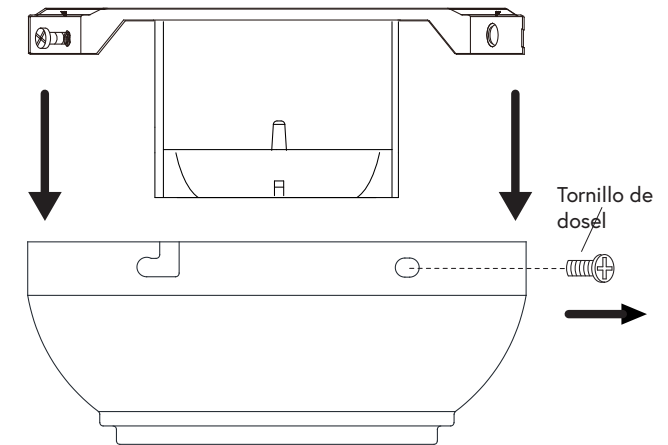
Si no existe una caja de montaje octogonal listada por UL marcada como "Aceptable para soporte de ventilador", siga las instrucciones a continuación. (**RECORDATORIO:** una caja de conexiones eléctricas para uso con luminarias no es aceptable para esta aplicación)

- Antes de comenzar a instalar la caja de montaje, corte la energía en el disyuntor de la caja de fusibles.
- Asegure la caja directamente a la estructura del edificio. Las siguientes figuras muestran 3 métodos de ejemplo.



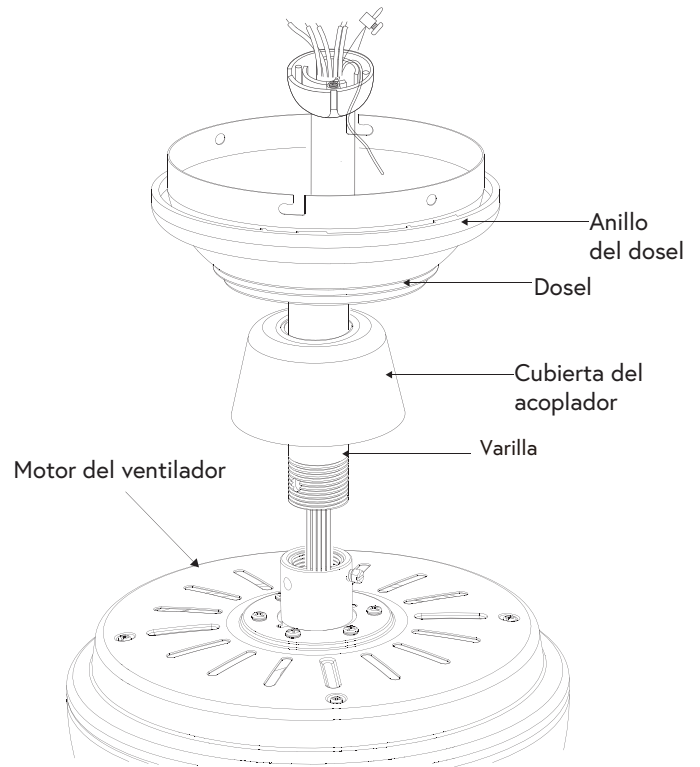
## PREPARACIÓN PARA EL MONTAJE - MONTAJE EN TECHO ESTÁNDAR

1. Retire el anillo de la cubierta girándolo hasta que se destrabe.
2. Retire el soporte de montaje de la cubierta aflojando los dos tornillos de la cubierta ubicados en las ranuras en forma de "L".
3. Retire y guarde los dos tornillos de la cubierta en los orificios redondos. Esto le permitirá quitar el soporte de montaje.



## RUTA DE LOS CABLES - MONTAJE EN TECHO ESTÁNDAR

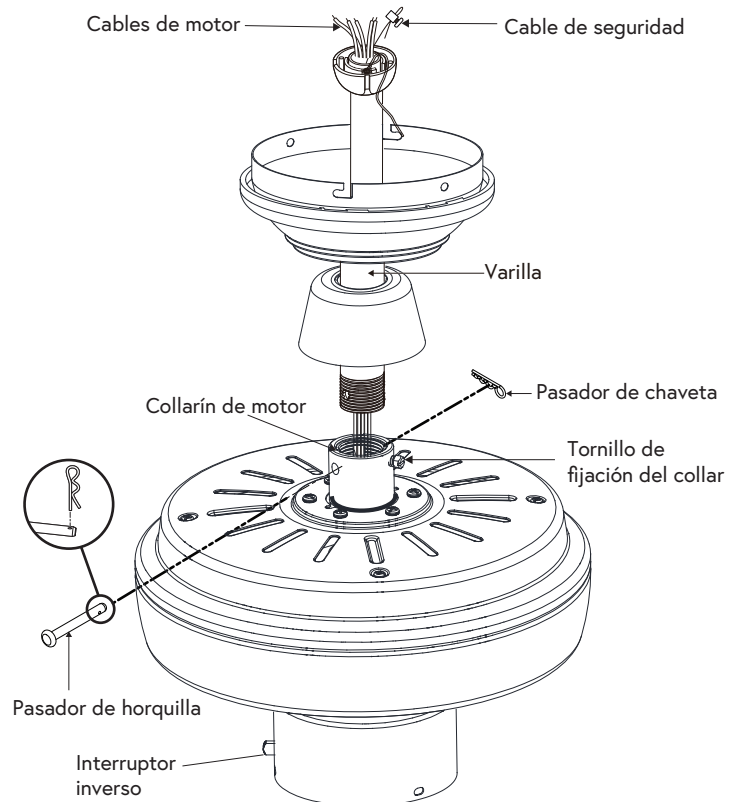
- Deslice la cubierta, el anillo de la cubierta y la cubierta de acoplamiento en el conjunto de la varilla.
- Pase con cuidado los cables del motor y el cable de seguridad saliendo de la parte superior del motor del ventilador a través del conjunto de varilla.



## MONTAJE DEL VENTILADOR - MONTAJE EN TECHO ESTÁNDAR

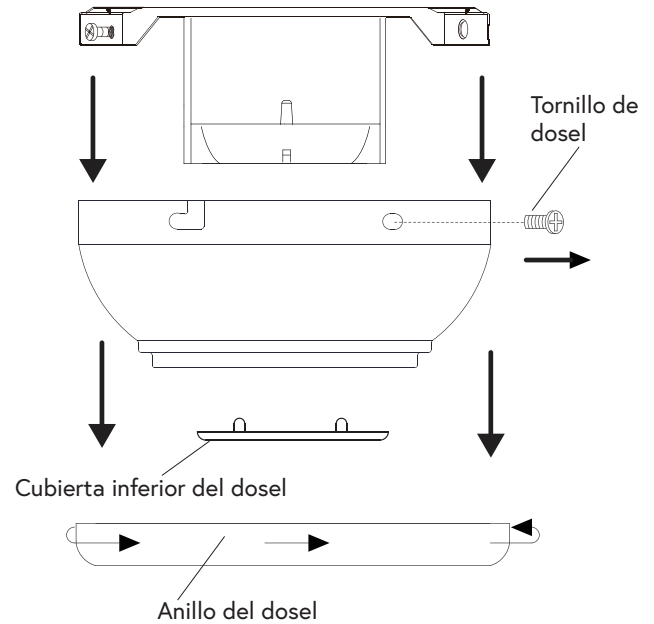
**ADVERTENCIA:** Si no se instala correctamente la chaveta, el ventilador podría aflojarse y posiblemente caerse.

1. Afloje, pero no retire, el tornillo de fijación del collar del motor en la parte superior del motor del ventilador.
2. Enrosque el conjunto de la varilla en el collar hasta que los orificios en la parte inferior de la varilla se alineen con los orificios del collar.
3. Inserte con cuidado el pasador de horquilla a través de los orificios del collar y de la varilla. Tenga cuidado de no atascar el pasador de horquilla contra el cableado dentro de la varilla.
4. Inserte la chaveta a través del orificio cerca del extremo del pasador hasta que encaje en su posición bloqueada.
5. Vuelva a apretar el tornillo de fijación en el collar en la parte superior del motor del ventilador.



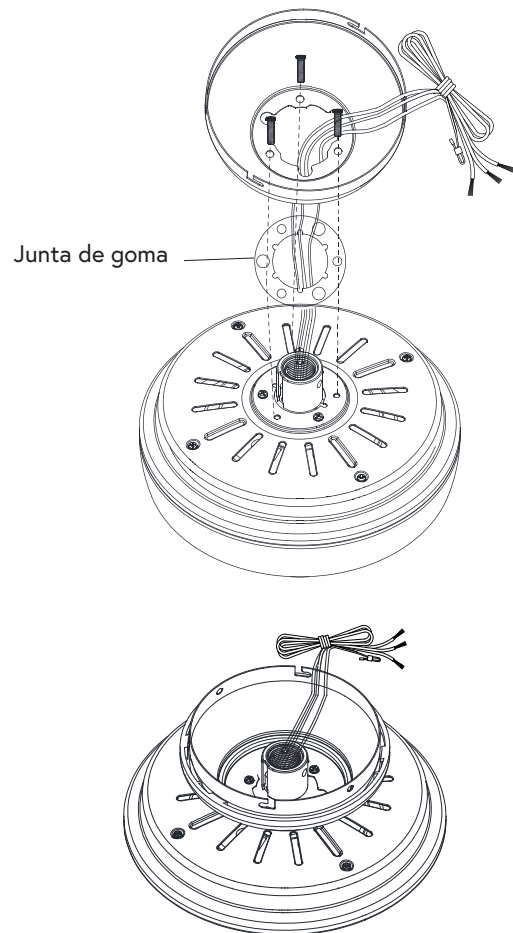
## PREPARACIÓN PARA EL MONTAJE - MONTAJE CERCA DEL TECHO

1. Retire el anillo de la cubierta girándolo hasta que se destrabe.
2. Retire el soporte de montaje de la cubierta aflojando los dos tornillos de la cubierta ubicados en las ranuras en forma de "L".
3. Retire y guarde los dos tornillos de la cubierta en los orificios redondos. Esto le permitirá quitar el soporte de montaje.
4. Retire la cubierta inferior decorativa del dosel presionando los tres pernos ubicados dentro de la parte inferior del dosel.



## RUTA DE LOS CABLES - MONTAJE CERCA DEL TECHO

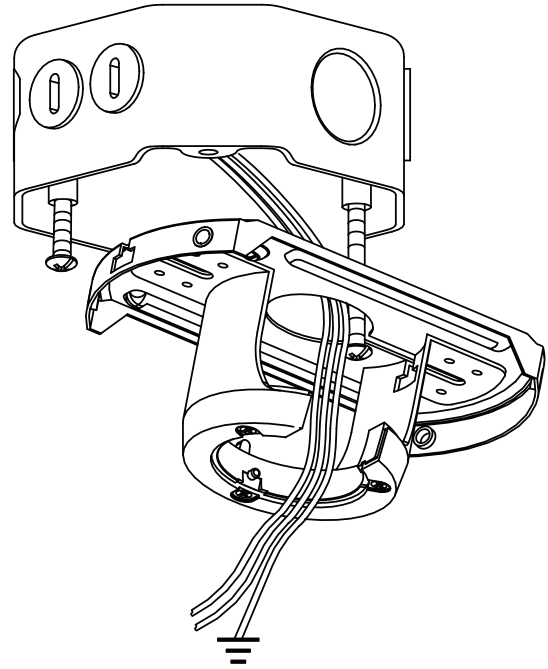
1. Retire tres de los seis tornillos y arandelas de seguridad (uno por medio) que sujetan el collar del motor a la parte superior del conjunto del motor del ventilador.
2. Pase los cables que salen de la parte superior del conjunto del motor del ventilador a través de la junta de goma alineando los orificios de la junta de goma con los tres orificios para tornillos en el conjunto del motor del ventilador.
3. Pase los cables que salen de la parte superior del conjunto del motor del ventilador a través del anillo de la cubierta y la cubierta (asegúrese de que las aberturas de las ranuras para el anillo de la cubierta y la cubierta estén en la parte superior). Coloque la cubierta sobre el collar en la parte superior del motor.
4. Alinee los orificios de montaje en la cubierta con los orificios para tornillos en el motor y fíjelos usando los tres tornillos más largos y las arandelas de seguridad proporcionadas. Apriete los tornillos firmemente.



# INSTALACIÓN DEL SOPORTE PARA COLGAR

**CAUTION:** PARA EVITAR POSIBLES DESCARGAS ELÉCTRICAS, ASEGÚRESE DE QUE LA ELECTRICIDAD ESTÉ APAGADA EN LA CAJA DE ALIMENTACIÓN PRINCIPAL ANTES DE REALIZAR EL CABLEADO. TODO EL CABLEADO DEBE ESTAR DE ACUERDO CON LOS CÓDIGOS ELÉCTRICOS NACIONALES Y LOCALES Y EL VENTILADOR DE TECHO DEBE ESTAR CONECTADO A TIERRA COMO MEDIDA DE PRECAUCIÓN CONTRA POSIBLES DESCARGAS ELÉCTRICAS.

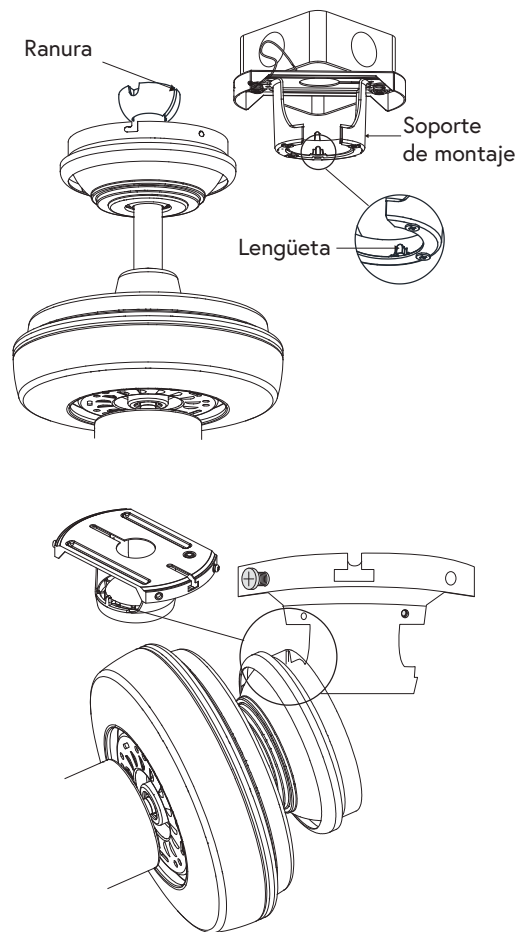
1. Afloje los dos tornillos de montaje en la caja eléctrica. Pase los cables de suministro de 120 voltios a través del orificio central del soporte de montaje deslizante.
2. Deslice el soporte de montaje deslizante sobre los tornillos de montaje y centre el soporte de montaje deslizante en relación con la caja eléctrica. Si es necesario, use arandelas niveladoras (no incluidas) entre el soporte de montaje deslizante y la caja eléctrica. El lado plano del soporte de montaje deslizante debe mirar hacia la caja eléctrica, como se muestra.
3. Apriete firmemente los dos tornillos de montaje.



## COLGANDO EL VENTILADOR

**ADVERTENCIA:** La lengüeta del anillo debe descansar en la ranura del conjunto de bola de suspensión/barra bajante. No asentar correctamente la pestaña en la ranura podría causar daños al cableado.

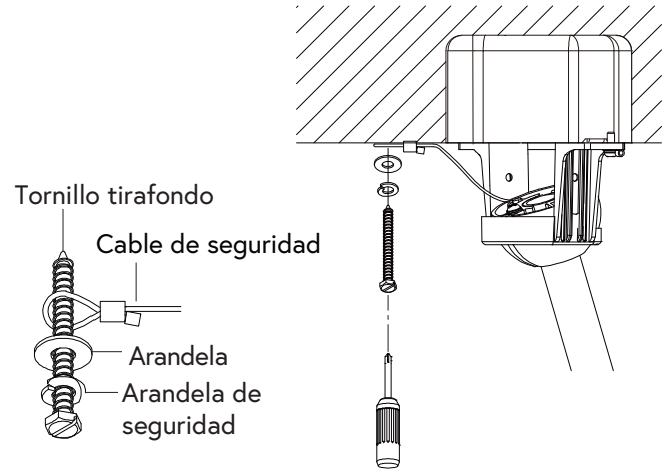
1. Levante con cuidado el conjunto del motor del ventilador hasta el soporte de montaje.
2. Asiente la porción de bola colgante del conjunto de bola/balgante en el casquillo del soporte de montaje. Asegúrese de que la pestaña del casquillo del soporte de montaje esté correctamente asentada en la ranura de la bola de suspensión. Si utiliza un montaje cerca del techo, cuelgue el ventilador en el gancho provisto utilizando uno de los orificios en el borde exterior de la marquesina del techo.



# INSTALACIÓN DEL SOPORTE DEL CABLE DE SEGURIDAD

**NOTA:** Si instala el cable de seguridad de soporte secundario en los EE. UU., no retire los orificios ciegos de la caja eléctrica.

1. Para la instalación canadiense y para combinaciones de ventilador y kit de iluminación de EE. UU. de más de 35 lb, tanto en el modo empotrado como con barra bajante, el cable de seguridad debe instalarse en las vigas de la estructura de la casa utilizando los tirafondos de 3", las arandelas y las arandelas de seguridad proporcionadas. Asegúrese de que cuando el cable de seguridad esté completamente extendido, los cables conductores sean más largos que el cable y que no se ejerza tensión sobre los cables conductores.

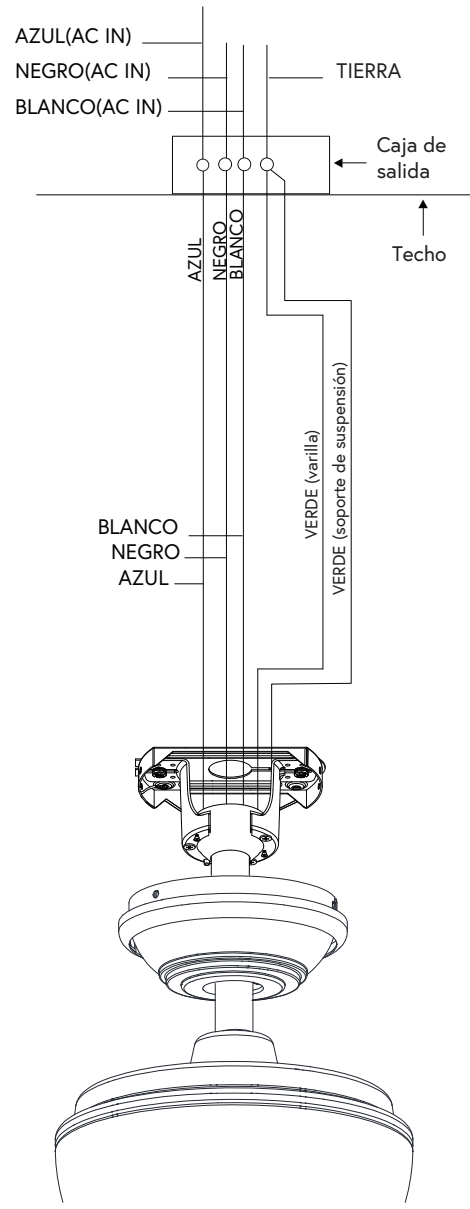


## CONEXIONES ELÉCTRICAS

**ADVERTENCIA:** Para evitar posibles descargas eléctricas, asegúrese de que la electricidad esté apagada en la caja de fusibles principal antes de la instalación.

**ADVERTENCIA:** Verifique que todas las conexiones estén apretadas, incluida la tierra, y que no se vea ningún cable pelado en las tuercas para cables, excepto el cable de tierra.

1. Conecte el cable AZUL del motor del ventilador al cable AZUL del hogar y asegúrelo con la tuerca para cables suministrada.
2. Conecte el cable NEGRO del motor del ventilador al cable NEGRO del hogar y asegúrelo con la tuerca para cables suministrada.
3. Conecte el cable neutro BLANCO del ventilador al cable BLANCO del hogar y asegúrelo con la tuerca para cables suministrada.
4. Conecte el cable de cobre a tierra del edificio a los 2 cables de tierra VERDES del ventilador.



# MONTAJE DEL VENTILADOR

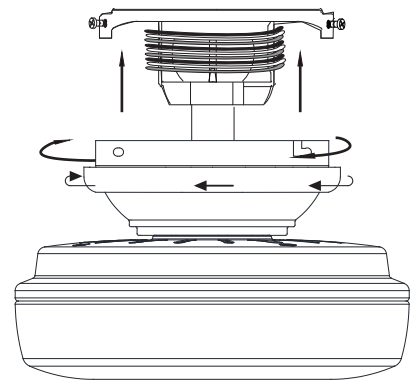
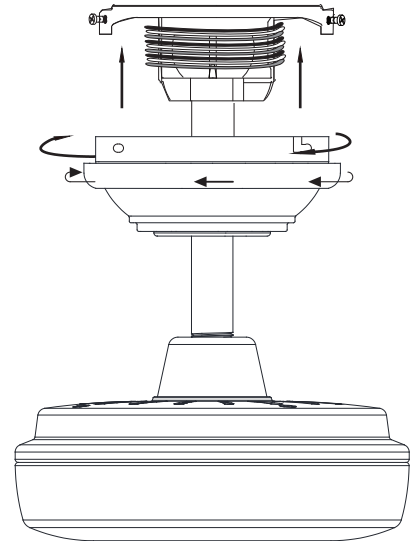
**ADVERTENCIA:** Cuando se utiliza el montaje estándar de bola/bañal, la lengüeta del anillo en la parte inferior del soporte de montaje debe descansar en la ranura de la bola de suspensión. No asentar correctamente la pestaña en la ranura podría causar daños al cableado.

## ESTÁNDAR:

1. Alinee las ranuras de bloqueo de la cubierta del techo con los dos tornillos en el soporte de montaje. Empuje hacia arriba para enganchar las ranuras y gírelo en el sentido de las agujas del reloj para bloquearlo en su lugar.
2. Apriete firmemente los dos tornillos de montaje.
3. Instale los dos tornillos de montaje (guardados en el Paso 1 del ensamblaje, "Preparación para el montaje") en los orificios de la cubierta y apriételes firmemente.
4. Instale el anillo decorativo del dosel alineando las ranuras del anillo con los tornillos en el dosel. Gire el anillo para fijarlo en su lugar.

## CERCA DEL TECHO:

1. Desenganche con cuidado el ventilador del soporte de montaje y alinee las ranuras de bloqueo de la cubierta del techo con los dos tornillos del soporte de montaje. Empuje hacia arriba para enganchar las ranuras y gírelo en el sentido de las agujas del reloj para bloquear la cubierta en su lugar. Apriete inmediatamente los dos tornillos de montaje firmemente.
2. Instale los dos tornillos de montaje restantes en los orificios de la cubierta y apriételes firmemente.
3. Instale el anillo decorativo del dosel alineando las ranuras del anillo con los tornillos en el dosel. Gire el anillo para fijarlo en su lugar.

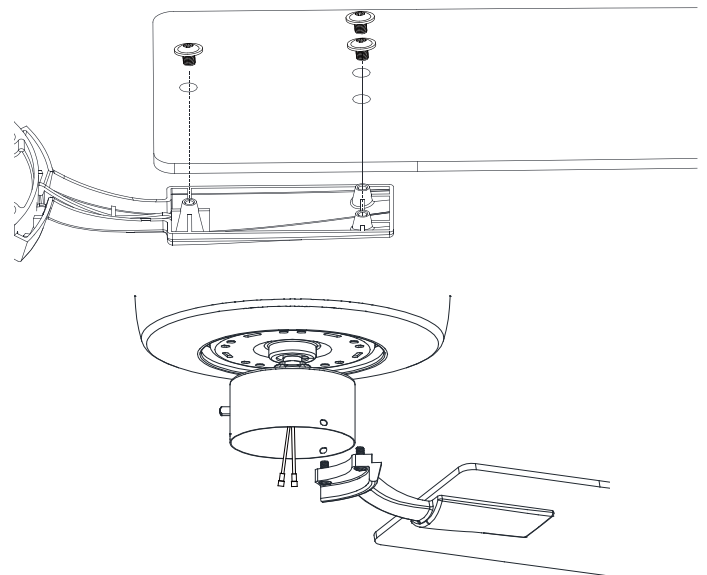


# COLOCAR LAS ASPAS DEL VENTILADOR

**ADVERTENCIA:** Retire los toques de goma del motor en la parte inferior del ventilador antes de instalar las aspas o probar el motor.

**NOTA:** Las aspas de tu ventilador son reversibles. Seleccione el acabado de la hoja que mejor acentúe su decoración.

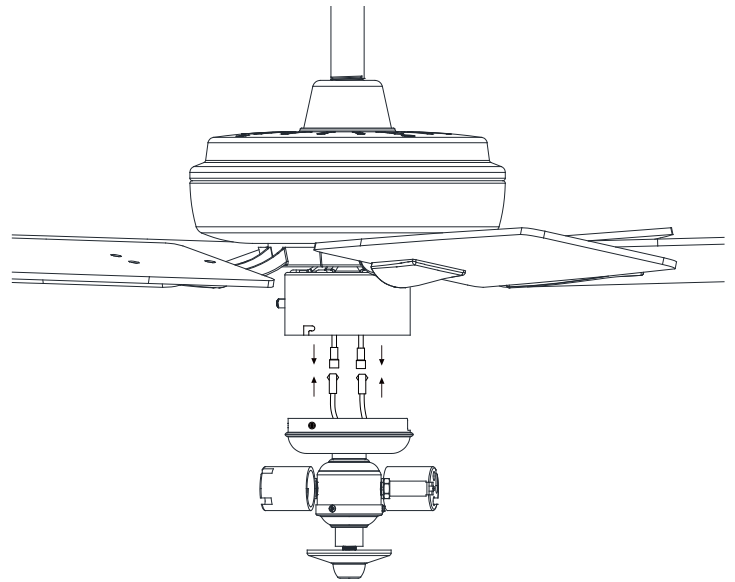
1. Fije la aspa al soporte de la aspa usando tornillos como se muestra. Repita este proceso para las aspas restantes.
2. Apriete cada tornillo firmemente.
3. Sujete el conjunto de aspas al motor alineando los orificios para tornillos en la parte inferior del motor del ventilador con los orificios en el brazo de las aspas y apretando los tornillos del motor. Tenga en cuenta que los tornillos del motor están preinstalados en los soportes de las aspas.
4. Repita el paso 3 para las aspas restantes.



# INSTALACIÓN DEL CONJUNTO DEL KIT DE LUCES

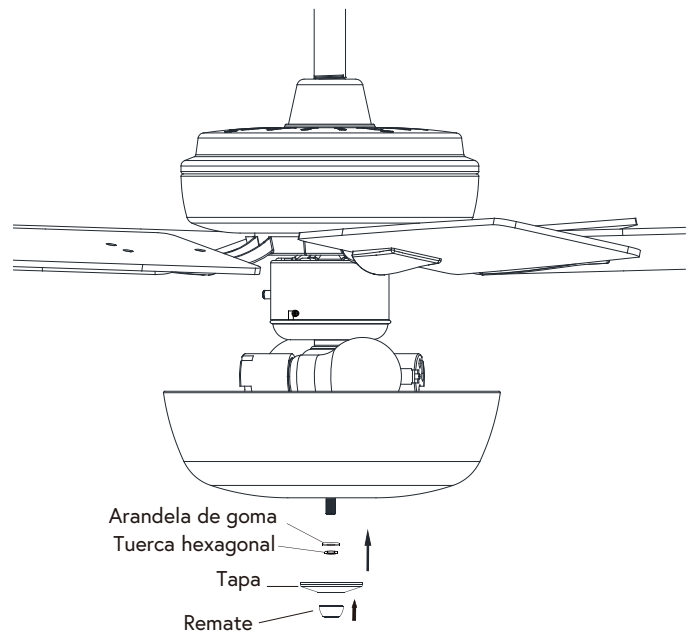
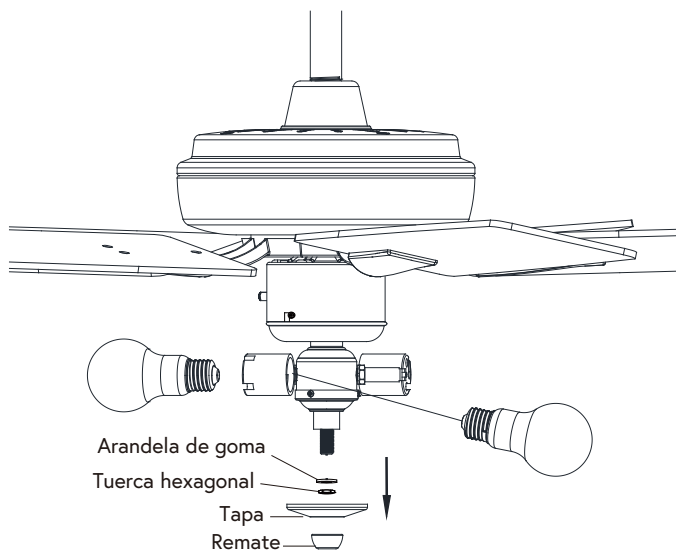
**PRECAUCIÓN:** Para reducir el riesgo de descarga eléctrica, desconecte el circuito de suministro eléctrico al ventilador antes de instalar el kit de luces.

1. Afloje, pero no retire, dos de los tres tornillos de montaje de la caja del interruptor del conjunto del soporte del kit de luces. Retire un tornillo de montaje.
2. Conecte los cables de la caja del interruptor a los cables del soporte del kit de luces conectando los enchufes adaptadores moldeados (azul con negro, blanco con blanco).
3. Introduzca con cuidado todos los cables y empalmes en la carcasa del interruptor.
4. Coloque la cubierta de la caja del interruptor con el soporte del kit de luces a la caja del interruptor de modo que las dos cabezas de los tornillos aflojados encajen en las ranuras tipo ojo de cerradura y apriete los tornillos. Vuelva a instalar el tornillo que quitó en el paso 1 y apriételo firmemente.



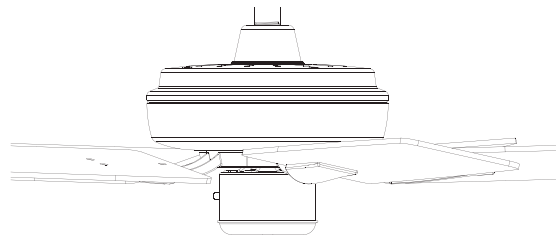
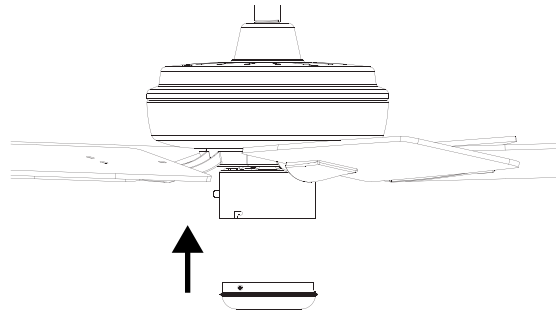
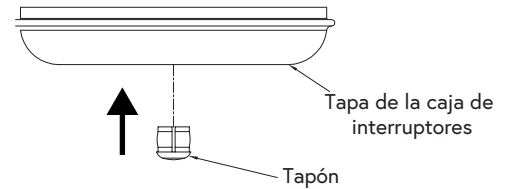
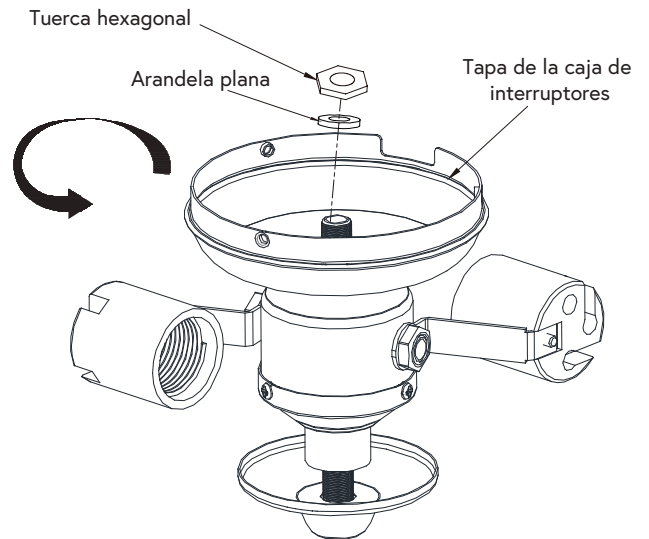
# INSTALACIÓN DE LAS BOMBILLAS Y LA SOMBRA

1. Retire el remate, la tapa, la tuerca hexagonal y la arandela de goma del kit de luces. Instale las dos lámparas LED (incluidas) en los portalámparas.
2. Coloque la persiana sobre la boquilla roscada. Pase la cadena de tracción del ventilador a través de la arandela de goma y la tuerca hexagonal. Apriete la tuerca hexagonal. Pase la cadena del ventilador a través de la persiana y la tapa, luego instale y apriete con los dedos el remate.



# MONTAJE DEL VENTILADOR SIN KIT DE LUCES

1. Para usar el ventilador sin el kit de luces, retire la carcasa de la caja de interruptores de la parte superior del conjunto del soporte del kit de luces quitando la tuerca hexagonal central dentro de la carcasa de la caja de interruptores y luego enrosque la carcasa de la caja de interruptores para sacarla de la boquilla roscada en la parte superior. del conjunto del soporte del kit de luces.
2. Presione el tapón de plástico (incluido) en el orificio central de la caja de interruptores.
3. Retirer une vis du couvercle du boitier de la boite de commutation et desserrer mais ne pas retirer les deux vis.
4. Coloque la carcasa de la caja del interruptor en la caja del interruptor y vuelva a instalar los tornillos de montaje del kit de luces.





# CONTROL DE PARED - REALIZACIÓN DE LAS CONEXIONES ELÉCTRICAS

**RECUERDE** desconectar la alimentación. Si cree que no tiene suficiente conocimiento o experiencia en cableado eléctrico, haga que un electricista autorizado instale el ventilador.

Siga los pasos a continuación para conectar el ventilador al cableado de su hogar. Utilice los conectores de cables suministrados con su ventilador. Asegure los conectores con cinta aislante. Asegúrese de que no haya hilos ni conexiones sueltas.

1. Después de cortar la electricidad en la caja de fusibles principal o en el panel de disyuntores, retire la placa de pared y el interruptor existentes.
2. Proceda a conectar los cables de la siguiente manera (asegúrese de que los interruptores deslizantes del ventilador y de la luz del control de pared estén en la posición "OFF"); Conecte el cable negro sólido del control de pared al cable negro del ventilador. Conecte el cable rojo o azul del control de pared al cable negro del ventilador. Conecte el cable negro con rayas blancas del control de pared al cable caliente de 120 VCA. Utilice los conectores de cables proporcionados para asegurar las conexiones.

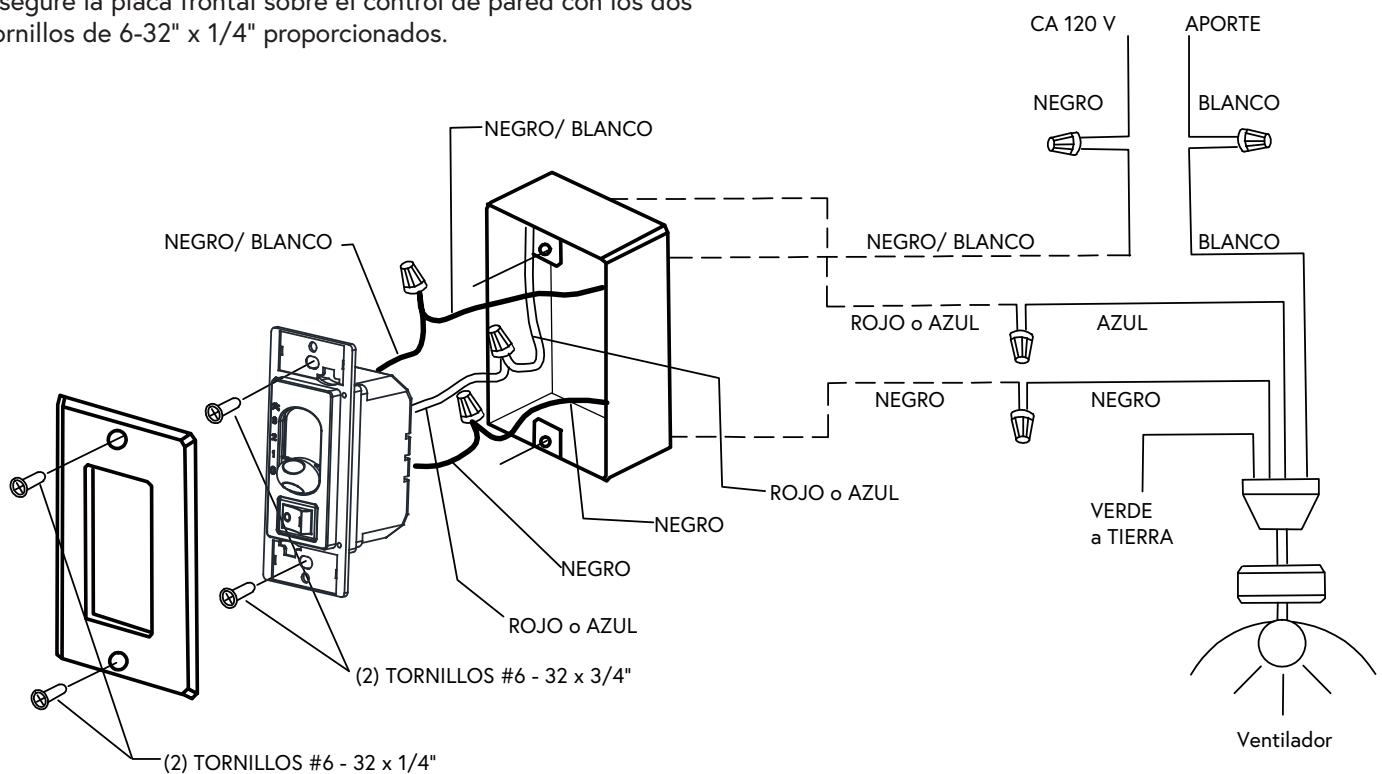
Si su caja eléctrica tiene un cable a tierra (verde o cobre desnudo), conecte el cable a tierra del transmisor de pared a él; de lo contrario, conecte el cable a tierra del transmisor de pared directamente a uno de los tornillos de la caja eléctrica.

3. Asegure el control de pared a la caja eléctrica usando los dos tornillos de 6-32" x 3/4" provistos.
4. Asegure la placa frontal sobre el control de pared con los dos tornillos de 6-32" x 1/4" proporcionados.

**NOTA:** Consulte el esquema en la parte posterior del control de pared.

**NOTA:** LA INSTALACIÓN DE ESTE CONTROL DE PARED REQUIERE QUE EL CABLE DE TRES CONDUCTORES CON CABLE A TIERRA SE TIENE ENTRE LA CAJA DE PARED DEL CONTROL Y LA SALIDA DEL VENTILADOR DE TECHO.

**ADVERTENCIA:** CADA TUERCA PARA CABLE (CONECTOR DE CABLE) SUMINISTRADA CON ESTE VENTILADOR ESTÁ DISEÑADA PARA ACEPTAR HASTA UN CABLE DOMÉSTICO DE CALIBRE 12 Y DOS CABLES DE ESTE VENTILADOR. SI TIENE CABLEADO DOMÉSTICO MÁS GRANDE DE CALIBRE 12 O MÁS DE UN CABLE DOMÉSTICO PARA CONECTAR AL CABLEADO DEL VENTILADOR, CONSULTE A UN ELECTRICISTA PARA UTILIZAR LAS TUERCAS PARA CABLES DEL TAMAÑO ADECUADO.



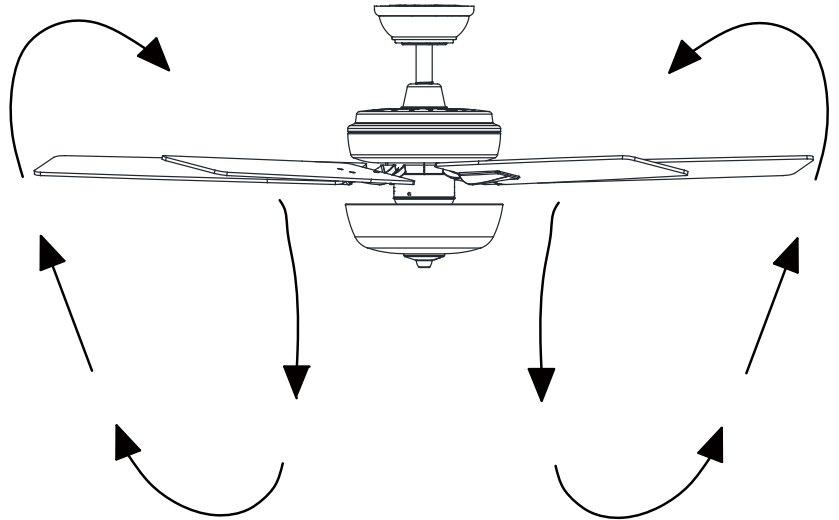
## Funcionamiento en modo Verano y modo Invierno

El ventilador sale de fábrica con el interruptor de inversión colocado para hacer circular el aire hacia abajo. Si desea que el flujo de aire fluya en la dirección opuesta, apague el ventilador y espere a que las aspas dejen de girar, luego deslice el interruptor de inversión (ubicado en la parte superior de la caja del interruptor, consulte la página 11) a la posición opuesta y encienda el ventilador de nuevo. Las aspas del ventilador girarán en la dirección opuesta e invertirán el flujo de aire.

Los ajustes de velocidad para climas cálidos o fríos dependen de factores como el tamaño de la habitación, la altura del techo y la cantidad de ventiladores.

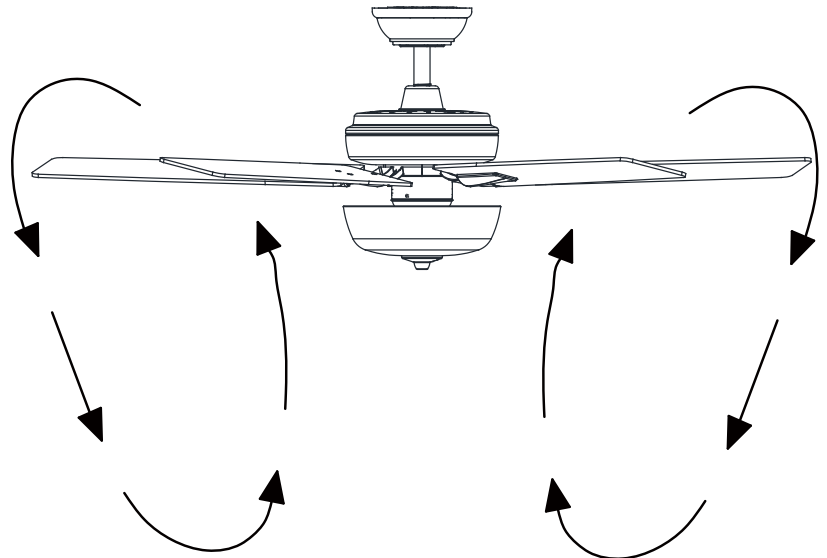
### Modo Verano (adelante):

Un flujo de aire HACIA ABAJO crea un efecto refrescante. Esto le permite configurar su aire acondicionado en una configuración más cálida sin afectar su comodidad.



### Modo invierno (inversa):

Un flujo de aire ARRIBA mueve el aire más cálido fuera del área del techo. Esto le permite configurar su unidad de calefacción en una configuración más fría sin afectar su comodidad.



## CUIDADO Y LIMPIEZA

---

- Periódicamente puede ser necesario volver a apretar los tornillos de la hoja al brazo de la hoja o los tornillos del brazo de la hoja al motor para evitar chasquidos o zumbidos durante la operación. Esto es especialmente cierto en climas con amplios rangos de temperatura y humedad.
- Al quitar el polvo de las hojas, debe sostener la hoja para evitar que se doble; no se debe aplicar presión a las hojas. Si experimenta algún defecto en el funcionamiento de su ventilador, verifique los siguientes puntos.

## SOLUCIÓN DE PROBLEMAS

---

PROBLEMA	SOLUCIÓN
EL VENTILADOR NO ENCIENDE	<ol style="list-style-type: none"><li>1. Verifique los fusibles o disyuntores del circuito.</li><li>2. Verifique la luz indicadora LED del control de pared. Si el LED no se ilumina al presionar un botón, no está transmitiendo una señal. Verifique la batería, la alimentación al control de pared/disyuntor y todas las conexiones eléctricas.</li><li>3. Asegúrese de que no haya más de 2 ventiladores funcionando en un circuito a través del control de pared. Asegúrese de que no haya más de 12 ventiladores funcionando en un circuito a través de un interruptor de pared de encendido/apagado o un disyuntor (no a través de un control de pared).</li><li>4. Asegúrese de que el ventilador esté dentro del alcance del control de pared (30 pies).</li></ol>
EL VENTILADOR SUENA RUIDO	<ol style="list-style-type: none"><li>1. Permita un período de "asentamiento" de 24 horas. La mayor parte del ruido asociado con un ventilador nuevo desaparecerá durante este tiempo.</li><li>2. Asegúrese de que todos los tornillos de la carcasa del motor estén bien apretados.</li><li>3. Asegúrese de que los tornillos que sujetan las aspas del ventilador al ventilador estén apretados.</li><li>4. Asegúrese de que su caja de techo esté segura y de que se utilicen almohadillas aislantes de goma entre el soporte de montaje y la caja eléctrica.</li></ol>
EL VENTILADOR SE TAMBIEN	<ol style="list-style-type: none"><li>1. Verifique que todos los tornillos de la hoja al motor y del brazo de la hoja estén asegurados.</li><li>2. Si aún se nota el bamboleo de la cuchilla, intercambiar dos cuchillas adyacentes (una al lado de la otra) puede redistribuir el peso y posiblemente dar como resultado un funcionamiento más suave.</li><li>3. Asegúrese de que la placa de montaje esté bien sujeta a la caja eléctrica del techo.</li><li>4. Asegúrese de que la caja del techo esté segura.</li></ol>

# **GARANTÍA LIMITADA DE POR VIDA PARA VENTILADORES DE TECHO DE KUZCO GROUP**

Los productos de Kuzco Group están garantizados contra defectos de materiales y construcción, sujetos a condiciones y exclusiones, por un período de un (1) año a partir de la fecha de envío del producto al cliente. Kuzco Group garantiza al propietario original que el motor del ventilador estará libre de defectos durante toda la vida útil del ventilador. Esta garantía no se aplica a ventiladores que hayan sufrido daños debido a una instalación inadecuada, retirados de la instalación original o sometidos a un uso para el cual el ventilador no fue diseñado. El cliente es responsable de cualquier costo de retirar el ventilador viejo, instalar un ventilador nuevo o cualquier otro costo. Esta garantía limitada de por vida reemplaza todas las demás garantías expresas. Kuzco Group no será responsable de ningún daño incidental o consecuente.

A continuación se muestra una lista detallada de los artículos garantizados:

<b>PARTE</b>	<b>USO RESIDENCIAL</b>	<b>USO COMERCIAL/HOSPITALIDAD</b>
Motor	Toda la vida	Toda la vida
Componentes LED integrados	1 año	1 año
Bombillas led	1 año	1 año
Cuchillas, controles, interruptores, condensadores, hardware	1 año	1 año

## **¿Qué está cubierto?**

- Piezas que llegan dañadas
- Faltan piezas en la caja
- Piezas que no funcionan correctamente
- Piezas que han dejado de funcionar correctamente dentro de los límites de la garantía.

## **¿Qué no está cubierto?**

- Costes de instalación
- Piezas desgastadas por el uso regular.
- Piezas dañadas en la instalación.
- Piezas modificadas
- Piezas fuera de garantía

**LA GARANTÍA SE APLICA SÓLO AL COMPRADOR ORIGINAL DE UN DISTRIBUIDOR AUTORIZADO DE KUZCO GROUP.**